

Model Type – Pages 6-27

Pneumatic Feed and Drive

AFD205	0.29HP (0.22kW)
AFD215	0.29HP (0.22kW)
AFD415	0.50HP (0.38kW)
AFD/AFT60	0.70HP (0.52kW)

Pneumatic Feed, Electric Drive

AFDE200	0.33HP (0.25kW)
AFDE400	0.40HP (0.33kW)
AFDE410	1.00HP (0.75kW)
AFDE600	0.40HP (0.33kW)
AFDE610	1.00HP (0.75kW)
AFDE620	1.50HP (1.10kW)
AFDE700	2.00HP (1.50kW)
AFDE710	3.00HP (2.20kW)

Electric Feed and Drive via Leadscrew

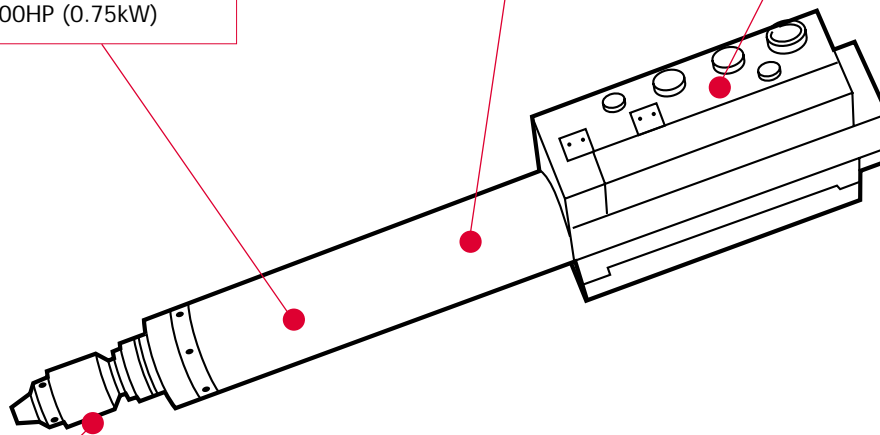
AFTE270	0.24HP (0.18kW)
AFTE470	0.50HP (0.38kW)
AFTE480	1.00HP (0.75kW)

No Load Speed – Pages 6-27

The free output speed of the drill or tapper with no drilling or tapping load applied.

Control Block – Page 28

- A1 – Full feature type⁽¹⁾ – Automatic cycle
- A6 – Simple type⁽¹⁾⁽²⁾ – Remote cycle control
- A7 – Leadscrew type – PNP
- A8 – Leadscrew type – NPN



Output Spindle⁽²⁾ – Pages 30/31

Output spindle to be supplied.

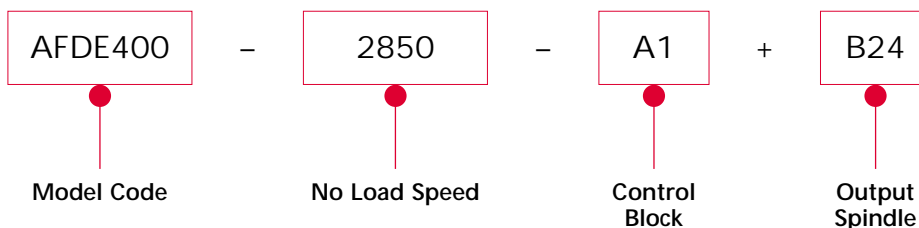
⁽¹⁾ Not required on AFTE models.

⁽²⁾ Does not apply for AFD60 and AFT60.

Lou Zampini & Associates

2 Douglas Pike, Rt. 7
Smithfield, RI 02917
1 800 353 4676
FAX 1 401 679 0165

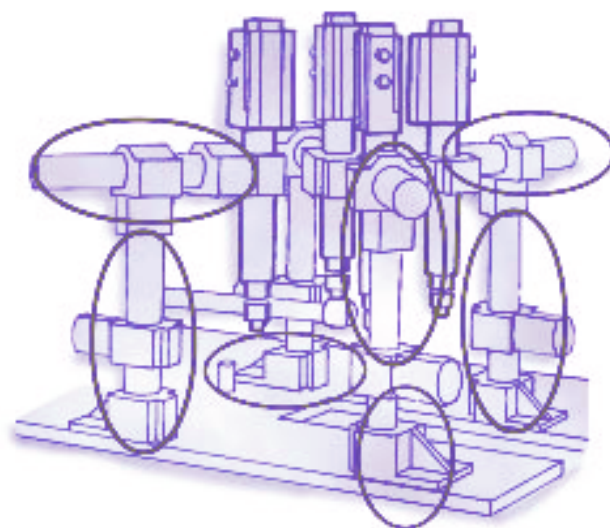
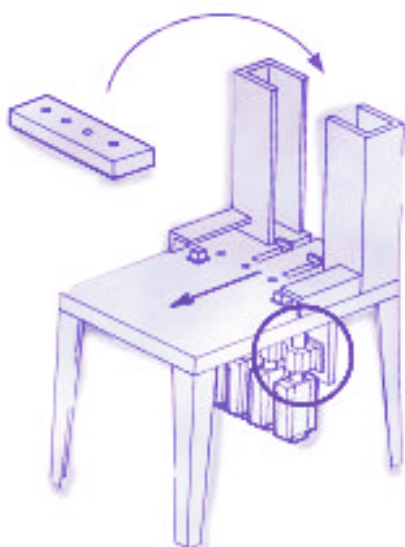
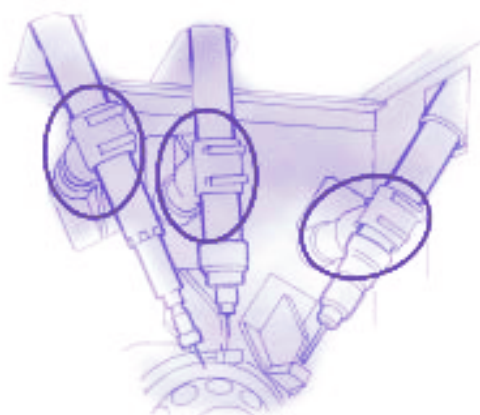
How to Order



mounting clamps



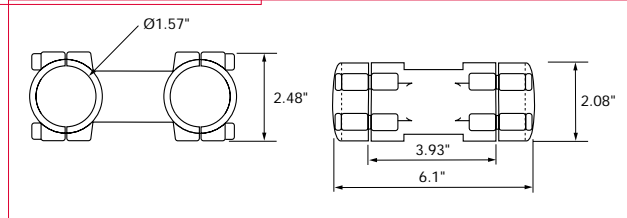
- Extensive range of mounting clamps to allow any orientation of the tool
- All clamps manufactured from aluminium



AFD205, AFDE200, AFTE270

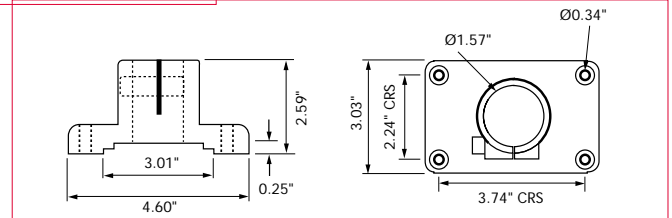
Parallel Clamp

Part No. 61832



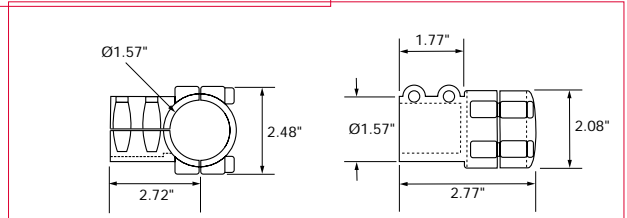
Base Clamp

Part No. 61842



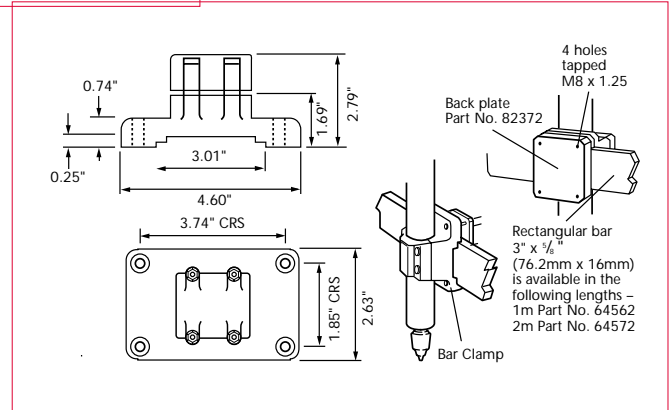
Right Angle Clamp

Part No. 61822



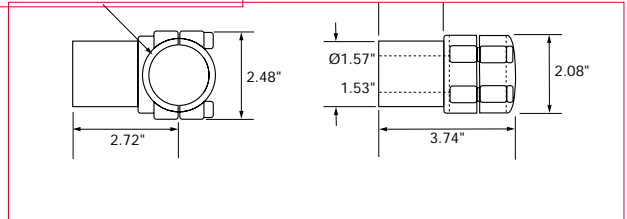
Bar Clamp

Part No. 61852

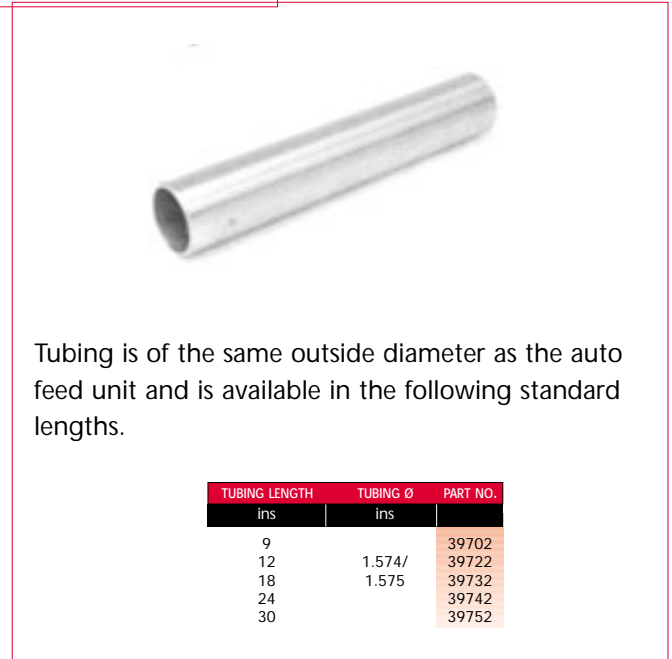


Swivel Clamp

Part No. 61802

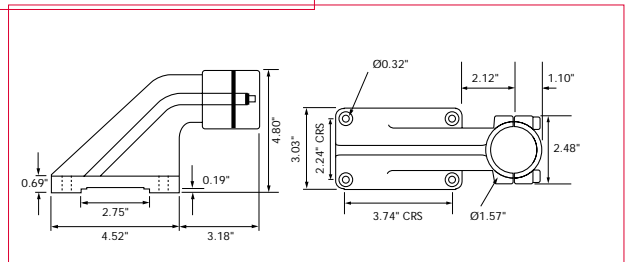


Mounting Tube



Swan Neck Clamp

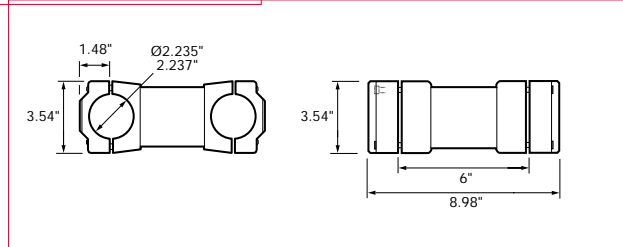
Part No. 61862



AFD415, AFDE400/410, AFTE470/480

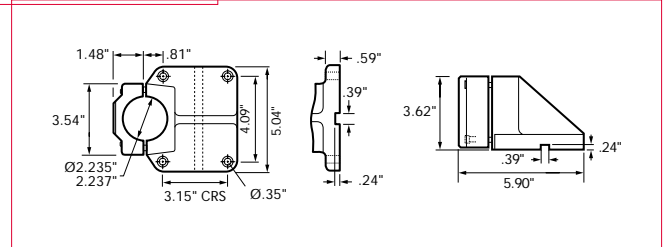
Parallel Clamp

Part No. 76352



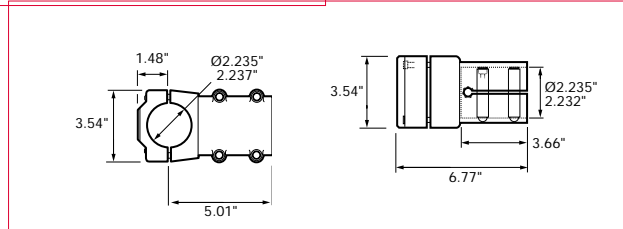
Base Clamp

Part No. 76302



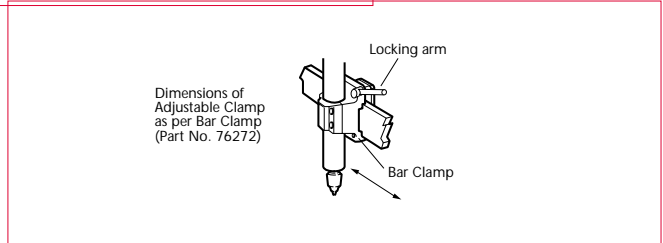
Right Angle Clamp

Part No. 76342



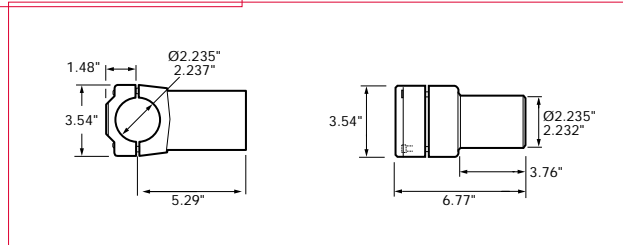
Adjustable Bar Clamp

Part No. 97042



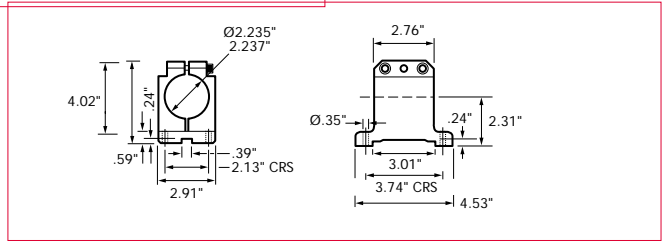
Swivel Clamp

Part No. 76332



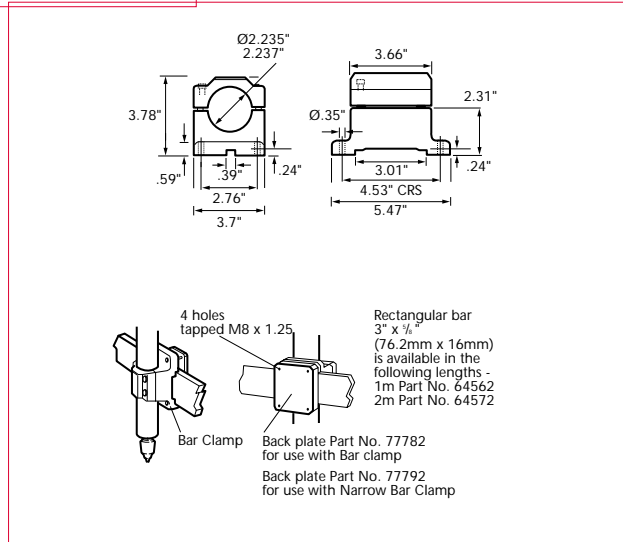
Narrow Bar Clamp

Part No. 76292

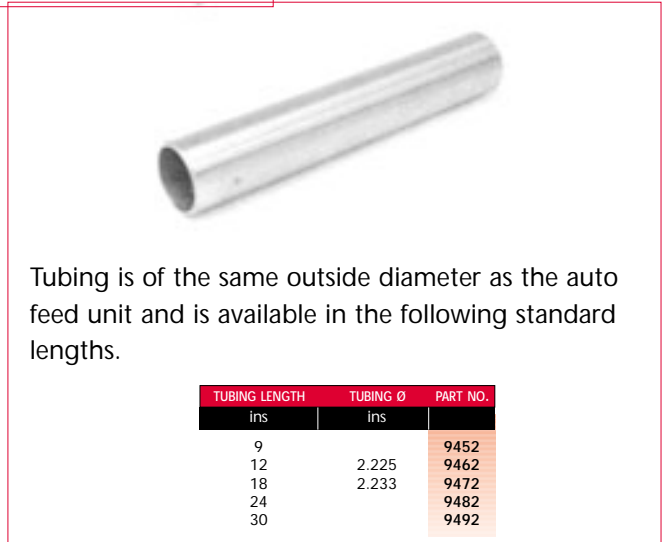


Bar Clamp

Part No. 76272



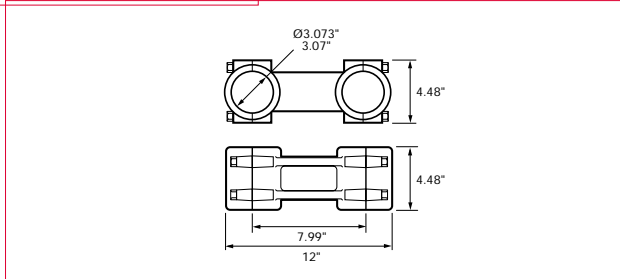
Mounting Tube



AFD60, AFT60, AFDE600/610/620

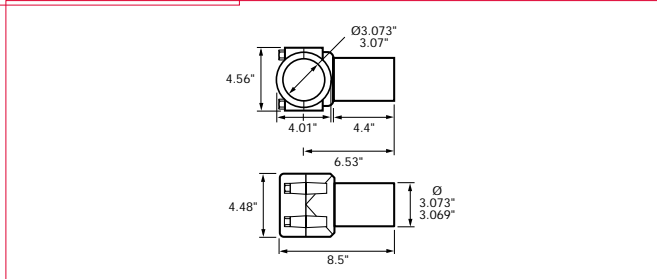
Parallel Clamp

Part No. 32492



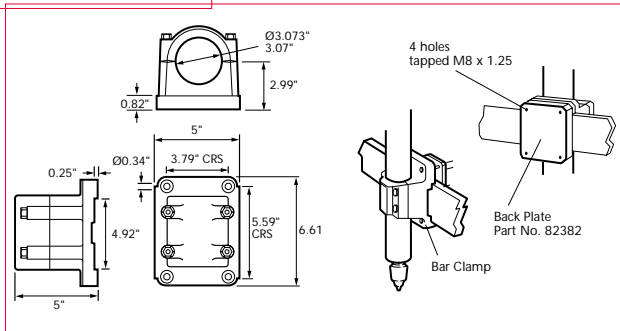
Swivel Clamp

Part No. 32502



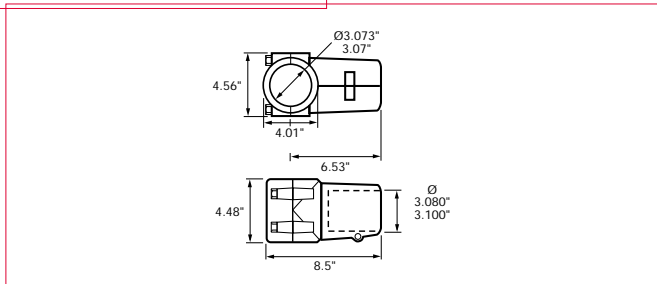
Bar Clamp

Part No. 32532



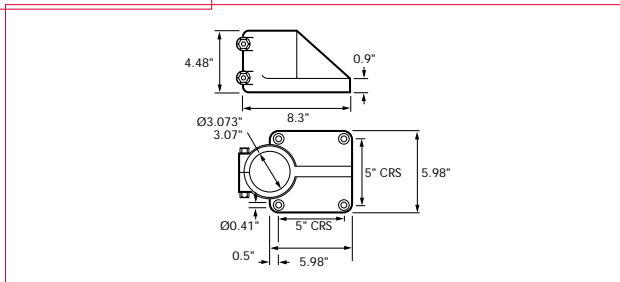
Right Angle Clamp

Part No. 32522



Base Clamp

Part No. 32542



Mounting Tube



Tubing is of the same outside diameter as the auto feed unit and is available in the following standard lengths.

TUBING LENGTH	TUBING Ø	PART NO.
ins	ins	
24	3.069	32562
36		32572
48		32582