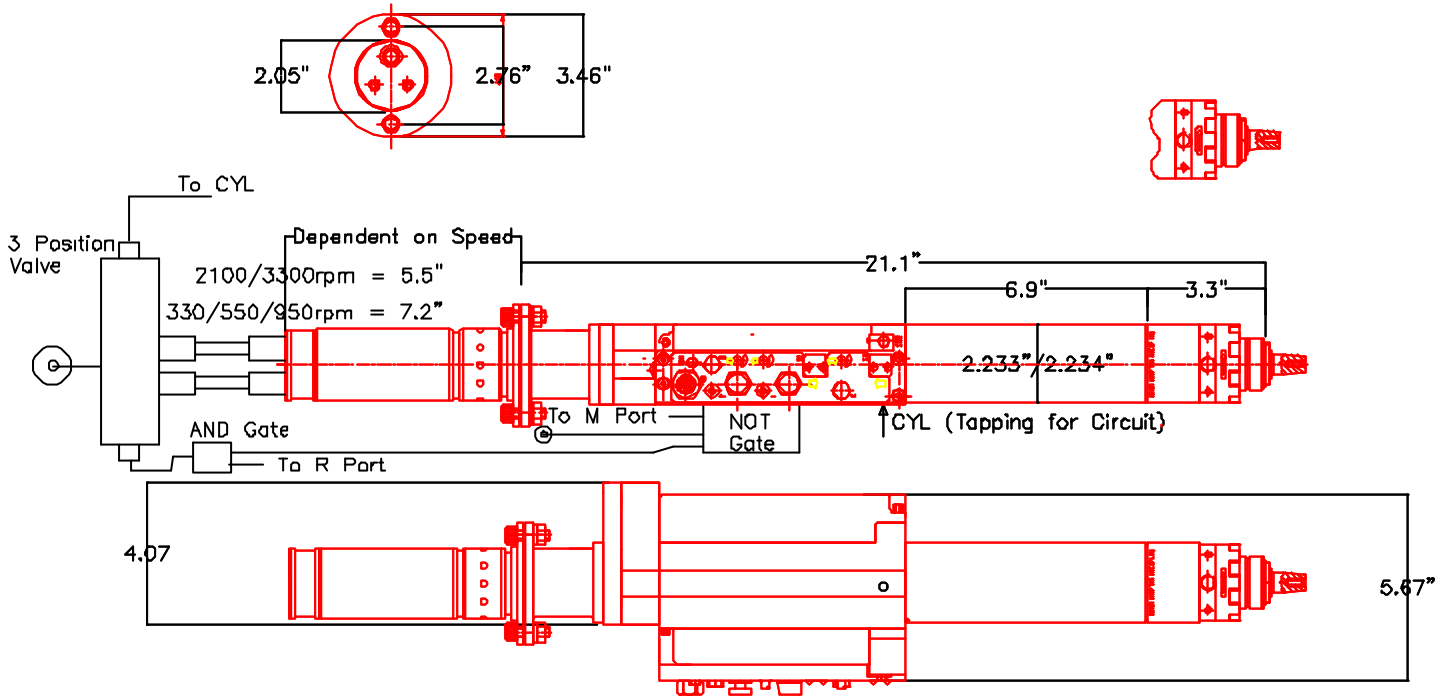


AFT470 All Pneumatic Lead Screw Tapper

This is based on the AFTE470 all electric lead screw tapper with the following :-

AFT470 base unit with 2HM5 motor mounted with B24 output spindle and Pneumatic Circuit 104562



2HM5 Air Motor used in direct drive – Refer to Air Motor Catalogue LT1317 Page 9 for details on the 2HM5 Only 330rpm to 3300rpm tools to be used.

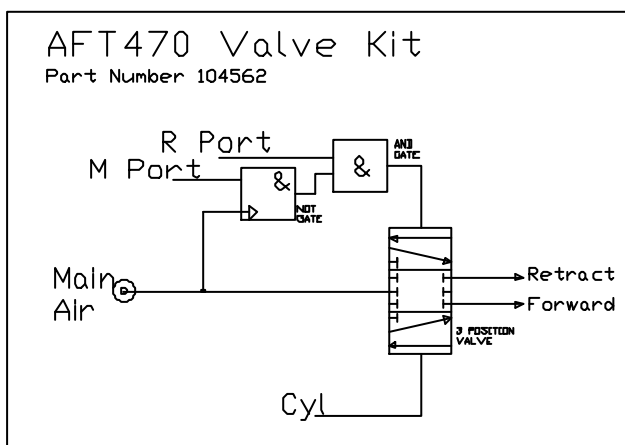
The A1 control block is used and functions in exactly the same way - Refer to AFD Product Range Catalogue 1.1 Page 28

External Air Circuit is required to reverse the motor (see circuit below), Desoutter Part No. 104562.

All leadscrew options are available – Refer to AFD Product Range Catalogue 1.1 Page 26.

All B and R series outputs fit the tool - Refer to AFD Product Range Catalogue 1.1 Page 30.

Electrical Interfaces can also be used - Refer to AFD Product Range Catalogue 1.1 Page 28.



Lou Zampini & Associates
2 Douglas Pike, Rt. 7
Smithfield, RI 02917
1 800 353 4676
FAX 1 401 679 0165

Product Picture

