



## High Power Drill



# DR750 – Ergonomics, Power And Productivity

Introducing the new High Power Drill from  Desoutter™

*The ultimate drilling machine providing 'operator comfort', 'power' & 'productivity'*

## ERGONOMICS & OPERATOR COMFORT

---

- Pistol grip angle design aids high feed force application for effective drilling
- Aluminum/composite pistol grip construction for enhanced operator comfort

## POWER

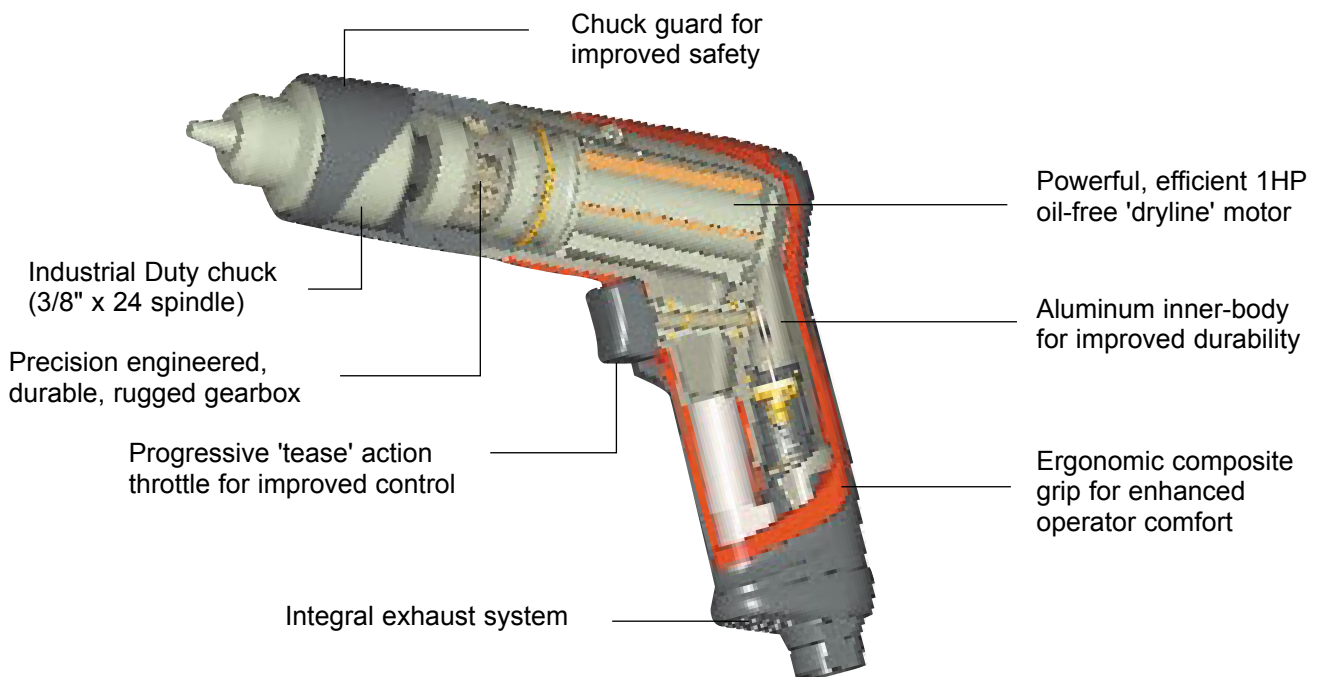
---

- Powered by a full 1 Horse Power, oil-free motor to tackle the most demanding applications
- Efficient effective motor to maintain optimum drilling speed

## PRODUCTIVITY

---

- The combination of operator comfort combined with the power of the High Power Drill enhances productivity



## VIBRATION LEVEL - SOUND LEVEL

---

- Sound level <81 dB(A)
- Vibration level <2.5m/s<sup>2</sup>

## RELIABILITY & SERVICING

---

- Modular construction provides ease of servicing
- Minor & major service kits available to ensure a 'right first time' service

# High Power Drill – DR750

Chuck Capacity:  $\varnothing$  1/2" (13mm),  $\varnothing$  3/8" (10mm),  $\varnothing$  5/16" (8mm)



A



D



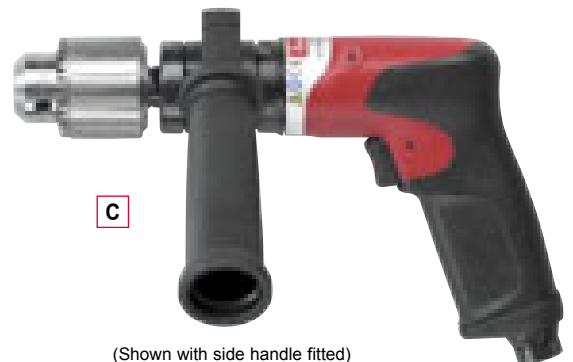
B



E



C



C

(Shown with side handle fitted)

Air Inlet: 1/4" BSP.NPT  
Vibration level: <2.5 m/s<sup>2</sup>

PICTURE REF	MODEL	PART NUMBER	FREE SPEED	CHUCK SIZE		MOTOR POWER		STALL TORQUE		WEIGHT		AIR FLOW		MIN HOSE BORE		SOUND LEVEL
			rpm	in	mm	Hp	Kw	in.lbs	Nm	lb.	kg	cfm	l/s	ins.	mm	db(A)

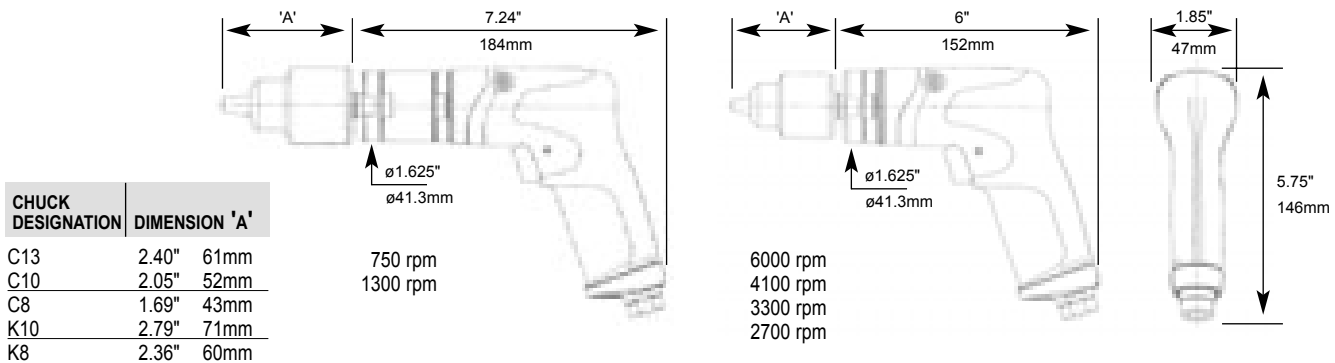
## Trigger start - Key Chuck Models

A	DR750-P6000-C8	1465124	6000	5/16	8	1.00	0.75	46	5.3	2.42	1.1	30	14	3/8	10	81
A	DR750-P4100-C8	1465114	4100	5/16	8	1.00	0.75	63	7.1	2.42	1.1	30	14	3/8	10	81
B	DR750-P3300-C10	1465104	3300	3/8	10	1.00	0.75	85	9.6	2.42	1.1	30	14	3/8	10	81
B	DR750-P2700-C10	1465094	2700	3/8	10	1.00	0.75	99	11.1	2.42	1.1	30	14	3/8	10	81
C	DR750-P1300-C10	1465084	1300	3/8	10	1.00	0.75	211	23.9	3.52	1.6	30	14	3/8	10	81
C	DR750-P750-C13	1465074	750	1/2	13	1.00	0.75	362	41.0	3.52	1.6	30	14	3/8	10	81

## Trigger start - Keyless Chuck Models

D	DR750-P6000-K8	1465164	6000	5/16	8	1.00	0.75	46	5.3	2.42	1.1	30	14	3/8	10	81
D	DR750-P4100-K8	1465154	4100	5/16	8	1.00	0.75	63	7.1	2.42	1.1	30	14	3/8	10	81
E	DR750-P3300-K10	1465144	3300	3/8	10	1.00	0.75	85	9.6	2.42	1.1	30	14	3/8	10	81
E	DR750-P2700-K10	1465134	2700	3/8	10	1.00	0.75	99	11.1	2.42	1.1	30	14	3/8	10	81

# Accessories



## DR750-P...C./ DR750-P...K.


### ACCESSORIES INCLUDED

	PART NUMBER				
	DR750...C8	DR750...C10	DR750...C13	DR750...K8	DR750...K10
• Chuck threaded 3/8 UNF capacity 5/16"- 8mm (without key)	410203				
• Chuck key	410213				
• Chuck threaded 3/8 UNF capacity 3/8"- 10mm (with key)		31132			
• Chuck key		29232			
• Chuck threaded 3/8 UNF capacity 1/2"- 13mm (with key)			473113		
• Chuck key			29242		
• Keyless Chuck threaded 3/8 UNF capacity 5/16"- 8mm				473433	
• Keyless Chuck threaded 3/8 UNF capacity 3/8"- 10mm					473423
• Chuck Guard	473143	473133	-	-	-
• Side Handle	473173	473173	473173	473173	473173
• Suspension Bail	473153	473153	473153	473153	473153

### OPTIONAL ACCESSORIES

	PART NO.
• Dust extraction kit	475033

# Safety Instructions



**WARNING**  
To reduce risk of injury everyone using, installing, repairing, maintaining, changing accessories on, or working near this tool must read and understand the safety instructions before performing any such task.

All tools are designed to operate at a line pressure of 6.3 bar +/- 0.15bar in accordance with ISO2787.

Sound levels +/- 3dB(A)\* measured in accordance with CAGI-PNEUROP test code or PNEUROP PN8NTC1.2. Vibration values\* measured in accordance with ISO 8662.

\*These declared values were obtained by laboratory testing in compliance with stated standards and are not adequate for risk assessments. Values measured in individual work places may be higher than the

declared values. The actual exposure values and risk of harm experienced by an individual are unique and depend upon the way the user works, the workplace and the work station design, as well as upon the exposure time and the physical condition of the user. We Desoutter cannot be held liable for the consequences of using declared values, instead of values reflecting the actual exposure, in an individual risk assessment in a work place situation over which we have no control.

Tools are CE marked to comply with European Machinery Directive.

Specifications subject to change without prior notice.

Further occupational health and safety information can be obtained from the following web sites  
<http://www.osha.gov> (USA)  
<http://europe.osha.eu.int> (Europe).

For general product safety instructions please refer to Drilling & Riveting catalog.

## Drills



- Keep away from rotating bit and chuck. You can become cut or burned if you come in contact with the drill bit, chips/swarf of work surface.
- Use intermittent drill pressure to avoid long shaved chips/swarf.
- The drill bit can suddenly bind and cause the work piece or tool to rotate causing arm and shoulder injuries.
- It is recommended that side handles are used for operator comfort and safety on high torque drilling applications above 2.6 lbf (3.5Nm) on straight case tools and 8.5lbf (11.5Nm) on pistol grip drills. Drills with a chuck capacity larger than 3/8" (10mm) should always be used with a side handle.
- For further information on the general safety instructions for the operation of power tools please refer to the Desoutter Drilling & Riveting catalogue or the tool operating instructions supplied with the tool.



Applications

Aerospace

MRO



Fabrication

Truck, Bus & Trailer

