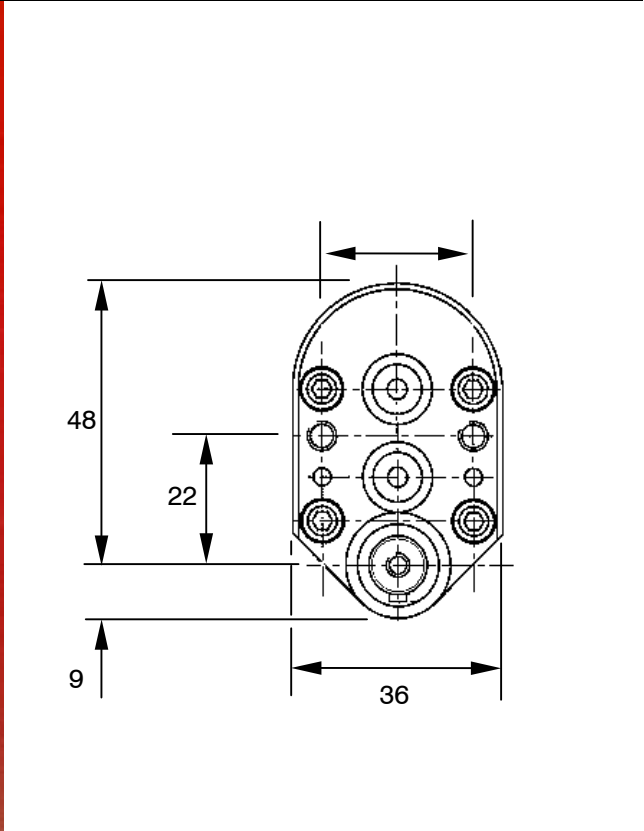




Lou Zampini & Associates
2 Douglas Pike, Rt. 7
Smithfield, RI 02917
1 800 353 4676
FAX 1 401 679 0165

Automation Screwdriver Accessories



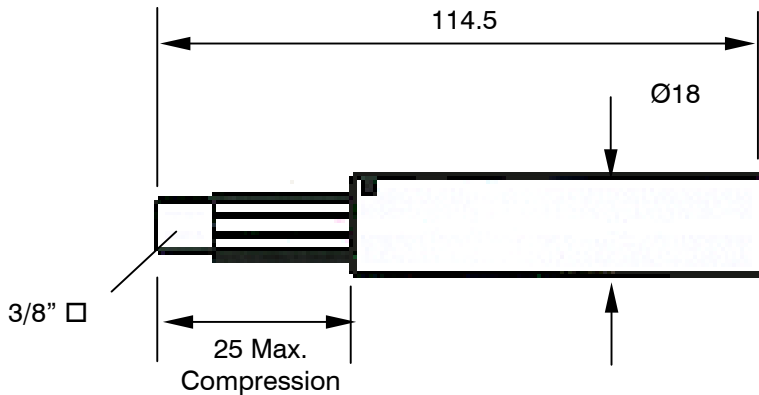
Screwdriver Automation Accessories

Spring Loaded Shafts



Each spring loaded shaft features 25mm of travel and a 3/8" square drive. The adaptor allows the shaft to be fitted to the screwdriver and drives through a key. The adaptor is retained by a screw.

Description	Part No.
Spring loaded shaft	108352
Adaptor 1/4" hex power to Ø10mm	103782

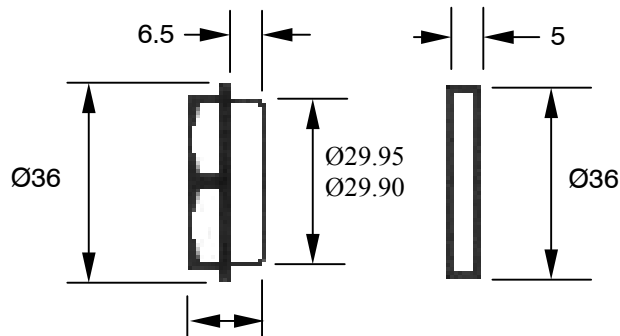


Nose Mounts



Nose mounts allow the screwdriver to be mounted squarely on a plate. The mounts are designed to fit on the clutch case thread.

Description	Part No.
SC Series – 3/4" x 26 TPI LH	103722
D Series – 7/8" x 26 TPI LH	103732
SB Series – M20 x 1.0 LH	108392

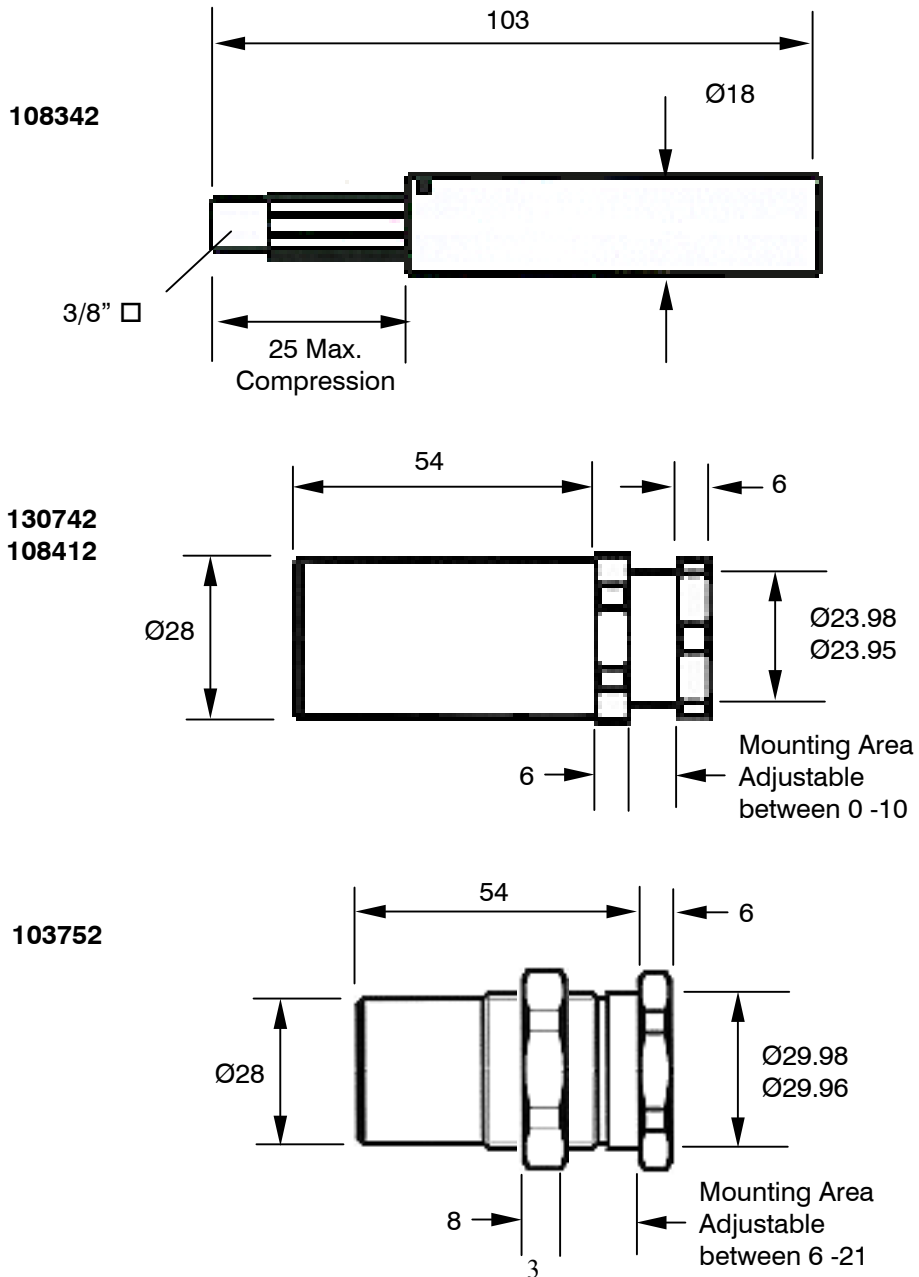


Combined Spring Loaded Shafts with Bearing Support and Nose Mounts



The bearing support includes a needle roller bearing to support the shaft to maintain alignment and also provides a mounting location for the screwdriver into a plate. The shaft has a ground finish for accuracy of location.

Description	Part No.
Spring loaded shaft	108342
Adaptor 1/4" hex power to Ø10mm	103782
Bearing Supports	
SC Series – 3/4" x 26 TPI LH	103742
D Series – 7/8" x 26 TPI LH	103752
SB Series – M20 x 1.0 LH	108412

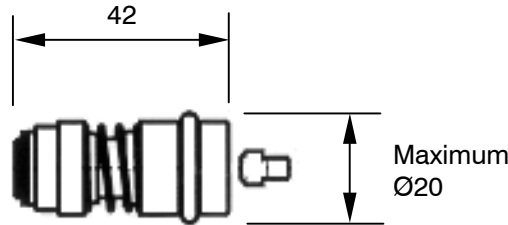


Bit Adaptor



For use with 108352 and 108342 spring loaded shafts, the bit adaptor is held on the square drive with a pin and o ring. A guide pin which screws into the shaft ensures that the adaptor is held in line with the spindle.

Description	Part No.
3/8" Square to 1/4" hex power	108322



Offset Head



For use with the SC and D series tools (a thread adaptor is supplied with the head), the offset head allows the assembly of fasteners on close centres (minimum 19mm).

Description	Part No.
Offset head	384993
Spring loaded shaft	108352

Lou Zampini & Associates
 2 Douglas Pike, Rt. 7
 Smithfield, RI 02917
 1 800 353 4676
 FAX 1 401 679 0165

