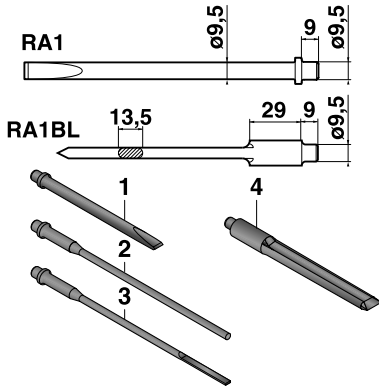
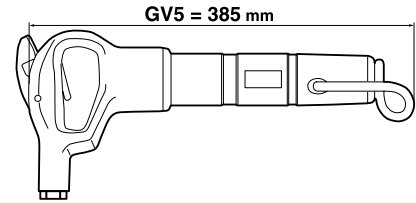
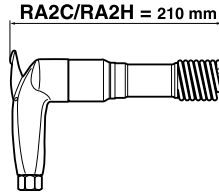
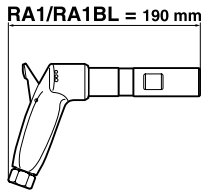


Accessories



RA1 / RA1BL

ACCESSORIES INCLUDED

- 1/4" air hose nipple for 10 mm ID hose

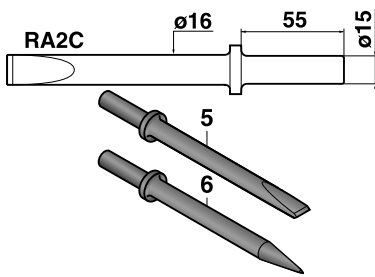
PART NO.
615 705 006 0

OPTIONAL ACCESSORIES

Shank \varnothing 9.5 x 9 mm (3/8"x23/64")

ITEM

| | RA1 | RA1BL |
|---|---------------|---------------|
| 1 Chisel, width 9 mm (23/64"), length 150 mm (5-29/32") | 615 040 115 0 | |
| 2 Chisel, \varnothing 6 mm (15/64"), length 250 mm (9-27/32") | 615 804 437 0 | |
| 3 Flat chisel 3 mm (1/8"), length 250 mm (9-27/32") | 615 804 438 0 | |
| 4 Chisel thickness 6 mm (15/64"), length 145 mm (5-45/64") | | 615 041 114 0 |
| 4 Chisel thickness 6 mm (15/64"), length 200 mm (7-7/8") | | 615 041 120 0 |



RA2C / RA2H

ACCESSORIES INCLUDED

- 1/4" air hose nipple for 10 mm ID hose

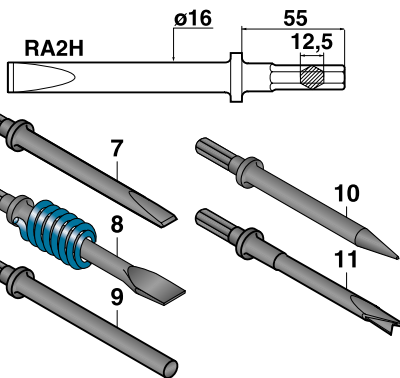
PART NO.
615 705 006 0

OPTIONAL ACCESSORIES

Shank 126 - \varnothing 15 x 55 mm (19/32"x2-11/64")

ITEM

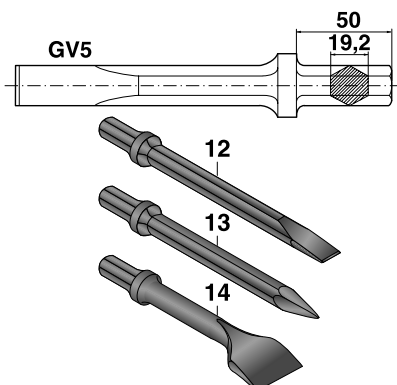
| | RA2C |
|--|---------------|
| 5 Chisel, width 16 mm (5/8"), length 185 mm (7-9/32") | 615 045 118 0 |
| 5 Chisel, width 16 mm (5/8"), length 250 mm (9-27/32") | 615 804 088 0 |
| 6 Pick, length 185 mm (7-9/32") | 615 045 218 0 |



Shank 122 - Hex. 12.5 x 55 mm (8/16"x2-11/64")

ITEM

| | RA2H |
|--|----------------|
| 7 Chisel, width 16 mm (5/8"), length 185 mm (7-9/32") | 615 046 118 0 |
| 7 Chisel, width 16 mm (5/8"), length 250 mm (9-27/32") | 615 804 089 0 |
| 7 Chisel, width 16 mm (5/8"), length 310 mm (12-13/64") | 615 804 431 0 |
| 7 Chisel, width 16 mm (5/8"), length 500 mm (19-11/16") | 615 804 090 0 |
| 7 Chisel, width 16 mm (5/8"), length 1000 mm (29-3/8") | 615 804 091 0 |
| 8 Chisel*, width 24 mm (15/16"), length 310 mm (12-13/64") | 615 804 440 0* |
| 8 Chisel*, width 50 mm (1-31/32"), length 250 mm (9-27/32") | 615 804 421 0* |
| * Supplied with retaining spring 615 690 089 0 (former TR0289) | |
| 9 Blank tool, length 175 mm (6-57/64") | 615 046 017 0 |
| 9 Blank tool, length 240 mm (9-29/64") | 615 046 024 0 |
| 10 Pick, length 185 mm (7-9/32") | 615 046 218 0 |
| 10 Pick, length 250 mm (9-27/32") | 615 804 092 0 |
| 11 Blade cutter, length 200 mm (7-7/8") | 615 046 920 0 |



GV5

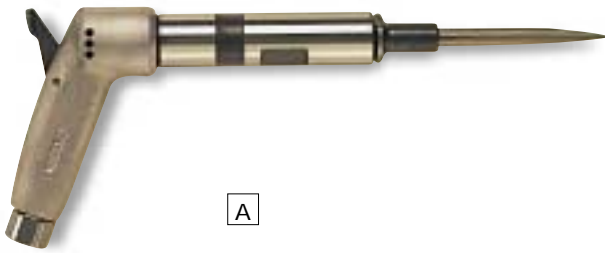
OPTIONAL ACCESSORIES

Hex. shank 19.2 x 50 mm (3/4"x1-31/32")

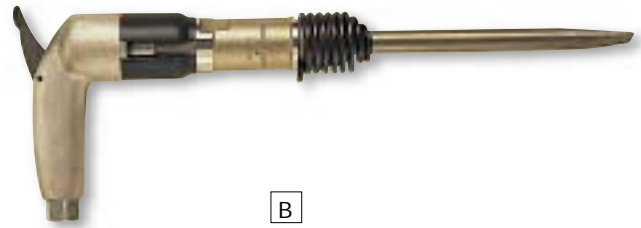
ITEM

| | GV5 |
|--|---------------|
| 12 Chisel, width 19 mm (3/4"), length 300 mm (11-15/16") | 615 804 095 0 |
| 12 Chisel, width 19 mm (3/4"), length 500 mm (19-11/16") | 615 804 096 0 |
| 13 Pick, length 300 mm (11-15/16") | 615 804 093 0 |
| 13 Pick, length 500 mm (19-11/16") | 615 804 094 0 |
| 14 Scraper, width 60 mm (2-23/64"), length 250 mm (9-27/32") | 615 804 097 0 |

Riveting hammers, chisel scalers and pneumatic hammer



A



B



C



| PICTURE REF | MODEL | PART NUMBER | BORE | STROKE | SHANK | BLOWS PER MINUTE | WEIGHT | | AIR CONSUMPTION AT FREE SPEED | | AIR INLET THREAD | HOSE INT. Ø |
|--|--------|--------------|------|--------|-----------|------------------|--------|-----|-------------------------------|------|------------------|-------------|
| | | | mm | mm | | | kg | lb. | l/s | cfm | inch | mm |
| RIVETING HAMMERS AND CHISEL SCALERS | | | | | | | | | | | | |
| A | RA1 | 615 174 0180 | 13 | 45 | Round | 4000 | 1.1 | 24 | 3 | 7.0 | 1/4 | 10 |
| A | RA1 BL | 615 174 0190 | 13 | 45 | Flatnosed | 4000 | 1.1 | 24 | 3 | 7.0 | 1/4 | 10 |
| B | RA2C | 615 174 0200 | 18 | 58 | 126 | 3500 | 20 | 44 | 4.6 | 9.7 | 1/4 | 10 |
| B | RA2H | 615 174 0210 | 18 | 58 | 122 | 3500 | 20 | 44 | 4.6 | 9.7 | 1/4 | 10 |
| PNEUMATIC HAMMER | | | | | | | | | | | | |
| C | GV5 | 615 174 0170 | 28 | 525 | 19x50 | 2400 | 5.1 | 112 | 8.3 | 17.6 | 1/2 | 13 |