

Tappers

Specifications

Tool Code	Weight lbs.	Length ins.	Side to Center ins.	Air Consumption cfm	Noise Level dB(A)	Air Inlet NPT	Min. Hose Bore ins.
2D16-L-1000	2.4	13.62	.71	20	75		
2F16-L-700	3.7	10.98				1/4"	3/8"
2F16-L-250	4	11.73	.89	20	75		

Supplied Accessories:

- 1 Part No. 31692 chuck body wrench.
- 1 Part No. 31682 collet nut wrench.
- Fitted with offset exhaust as standard.

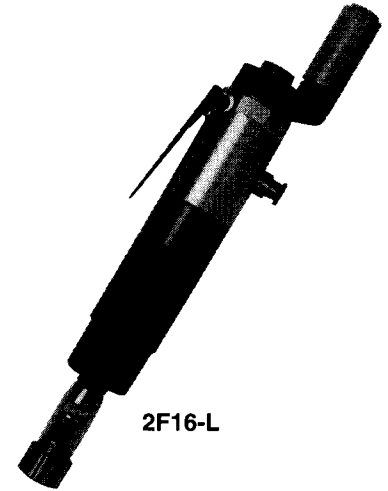
Optional Accessories:

For 2D16

- Soft grip sleeves Part No. 278383.
- Side Handle Part No. 70442.

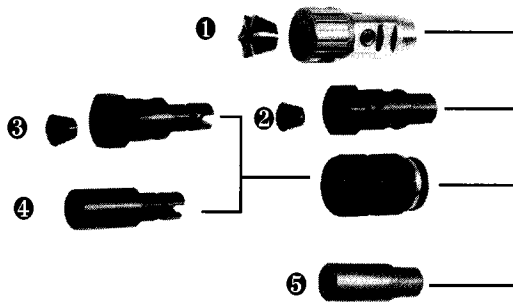
All models

- Quick release chuck, stud setters and tap holders.
- Supply hose, 3/8" bore, 8 ft. long, 1/4" NPT Part No. S21403.



2F16-L

Optional Tap and Stud Holders



1 Precision Collet Chuck

Collet Size Range ins.	Collet Part No.	Chuck Assembly Part No.	Chuck Length ins.	Chuck Dia. ins.
9/64 - 1/4	31662	29462	2 - 38	1.06
3/16 - 5/16	31652	29452		

Chuck Assembly includes:
Collet
Chuck body spanner - Part No. 31692 and
Collet nut spanner - Part No. 31682.

2 Tap Holder - Part No. 69922

Tap Size		Shank dia. ins.	Collet Part No.	Chuck Length ins.	Chuck Nut A/F ins.
mm	ins./No.				
M2.2 & M2.5		.11	2612	1.85	.83
M3	1/8	.12	2632		
M3.5	0123456	.14	2652		
M4	7.8	.16	2672		
M4.5		.18	2702		
M5	3/16 9/10	.20	2722		
M5.5	7/32 12	.22	2752		
M6	1/4 14	.25	2792		
M7	9/32	.28	2832		
M8 & M11	5/16 & 7/16	.31	2872		
M9 & M12	1/2	.35	69882		
M10	3/8	.39	69892		

Wrench for collet nut - Part No. 29443.
2mm A/F hexagon key grub screws - Part No. 206773.

3 Quick Release Tap Holder - Part No. 69872

Tap Size		Shank dia. ins.	Collet Part No.	Chuck Length ins.	Chuck Nut A/F ins.
mm	ins./No.				
M2.2 & M2.5		.11	2612	1.85	.83
M3	1/8	.12	2632		
M3.5	0123456	.14	2652		
M4	7.8	.16	2672		
M4.5		.18	2702		
M5	3/16 9/10	.20	2722		
M5.5	7/32 12	.22	2752		
M6	1/4 14	.25	2792		
M7	9/32	.28	2832		
M8 & M11	5/16 & 7/16	.31	2872		
M9 & M12	1/2	.35	69882		
M10	3/8	.39	69892		

Wrench for collet nut - Part No. 29443.
2mm A/F hexagon key grub screws - Part No. 206773.

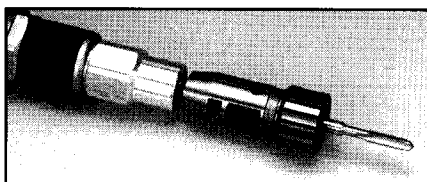
4 Quick Release Stud Setters

Thread Size	Stud Depth ins.	Setter Length ins.	Setter Dia. ins.	Part No.
M4 x 0.7	.25	1.85	.59	20822
M5 x 0.8	.28		.59	20842
M6 x 1.0	.35		.59	20862
M7 x 1.0	.35		.59	20872
M8 x 1.25	.41		.72	20882
M10 x 1.5	.47		.72	20902

5 Stud Setters

Thread Size	Stud Depth ins.	Setter Length ins.	Setter Dia. ins.	Part No.
M4 x 0.7	.25	1.85	.59	20692
M5 x 0.8	.28		.59	20722
M6 x 1.0	.35		.59	20742
M7 x 1.0	.35		.59	20752
M8 x 1.25	.41		.72	20762
M10 x 1.5	.47		.72	20782

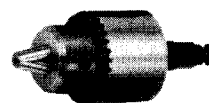
Tapping Kit for 2D8, 2F8 Screwdrivers



Collet Size Range ins.	Length ins.	Dia. ins.	Part No.
9/64 - 1/4	4.13	1	79292
3/16 - 5/16			79302

Not recommended for speeds over 1000 rpm.
See pages 10, 11 and 12 for details of 2D8,
2F8 Screwdrivers.

Tapping Kit for S5V2M Screwdriver



1/4" Tapping Chuck for use with S5V2M low voltage screwdriver. Used for precision thread tapping, thread cleaning etc.

Part No. S21638

See page 20 for details of S5V2M Screwdrivers.