

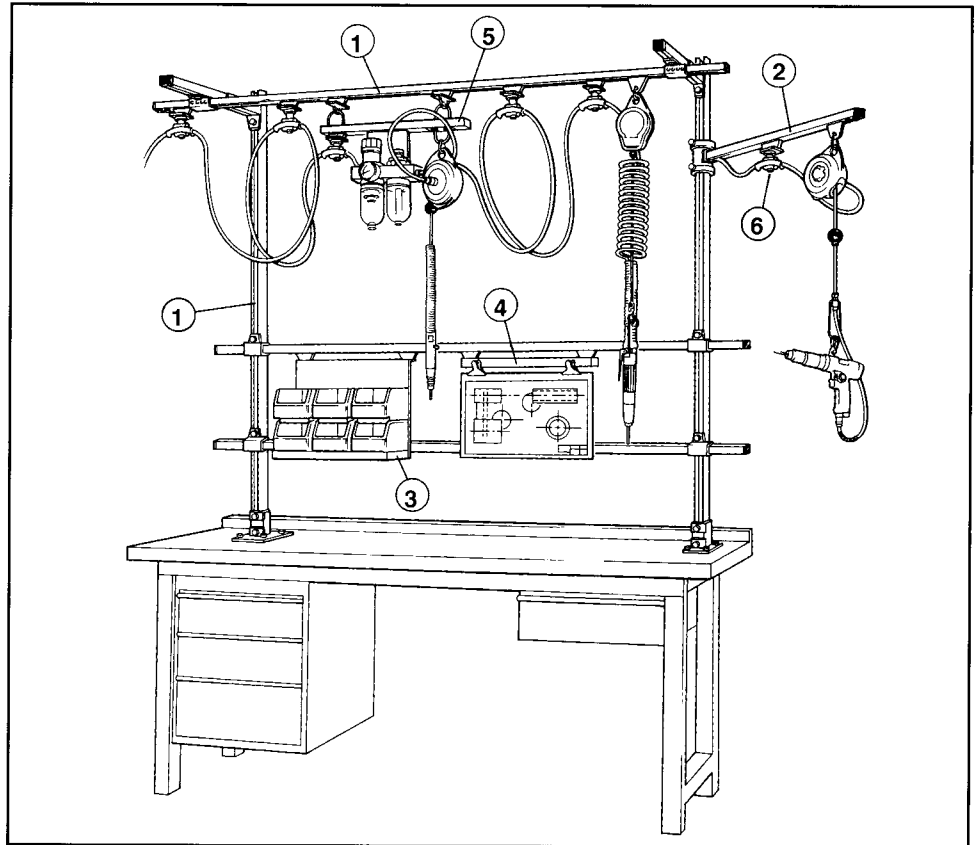
Workbench Equipment and Tool Stands

The versatile Bench Tidy System of uprights and tracking is designed to conveniently suspend a wide range of tools and components.

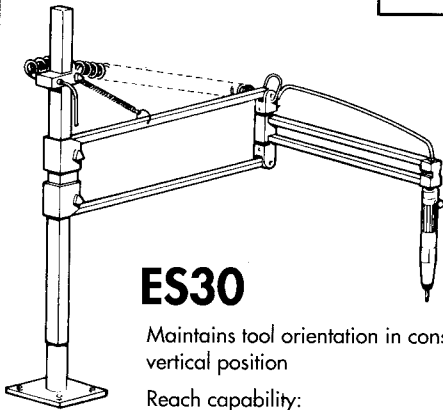
The system lends itself to be easily adapted and augmented at a later date.

Typical Systems Components

1. 'C' Rail Support Tracking.
2. Swivel Arm.
3. Accessory Trolley (bins extra).
4. Drawing Trolley.
5. Air Line Service Trolley.
6. Hose Carrier.



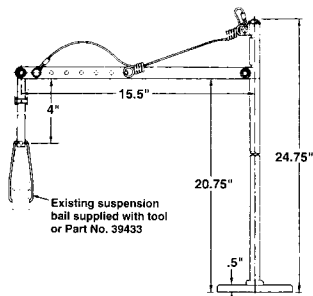
Ask for "Bench Tidy" catalog for further details.



ES30

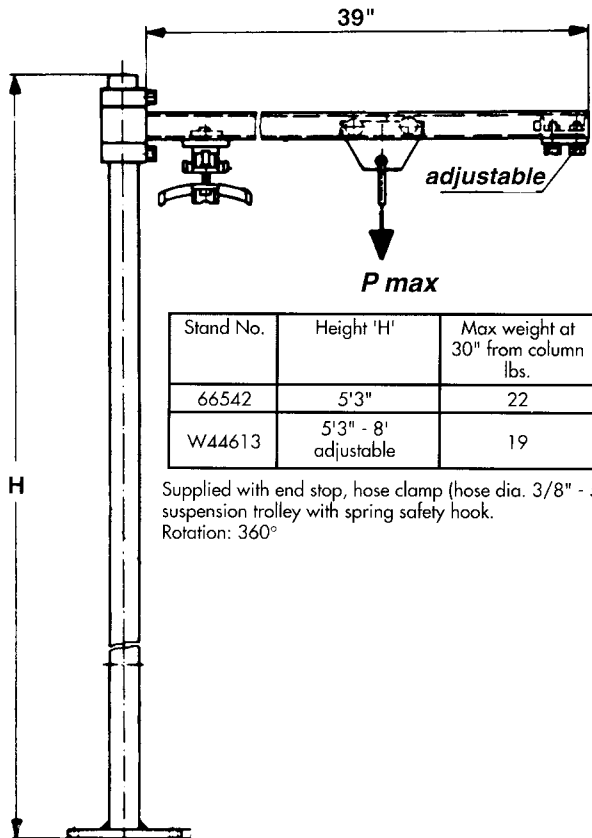
Maintains tool orientation in constant vertical position

- Reach capability: 3" to 36"
 Torque reaction capability: 200 ins. lbs.
 Maximum tool weight: 3 lbs.
 Weight: 21 lbs.
 Rotation: 360°



M52B

- Maximum tool weight: 5.5 lbs.
 Weight: 6.6 lbs.
 Rotation: 360°



| Stand No. | Height 'H' | Max weight at 30" from column lbs. | Weight lbs. |
|-----------|----------------------|------------------------------------|-------------|
| 66542 | 5'3" | 22 | 17 |
| W44613 | 5'3" - 8' adjustable | 19 | 26 |

Supplied with end stop, hose clamp (hose dia. 3/8" - 5/8") and suspension trolley with spring safety hook.
 Rotation: 360°