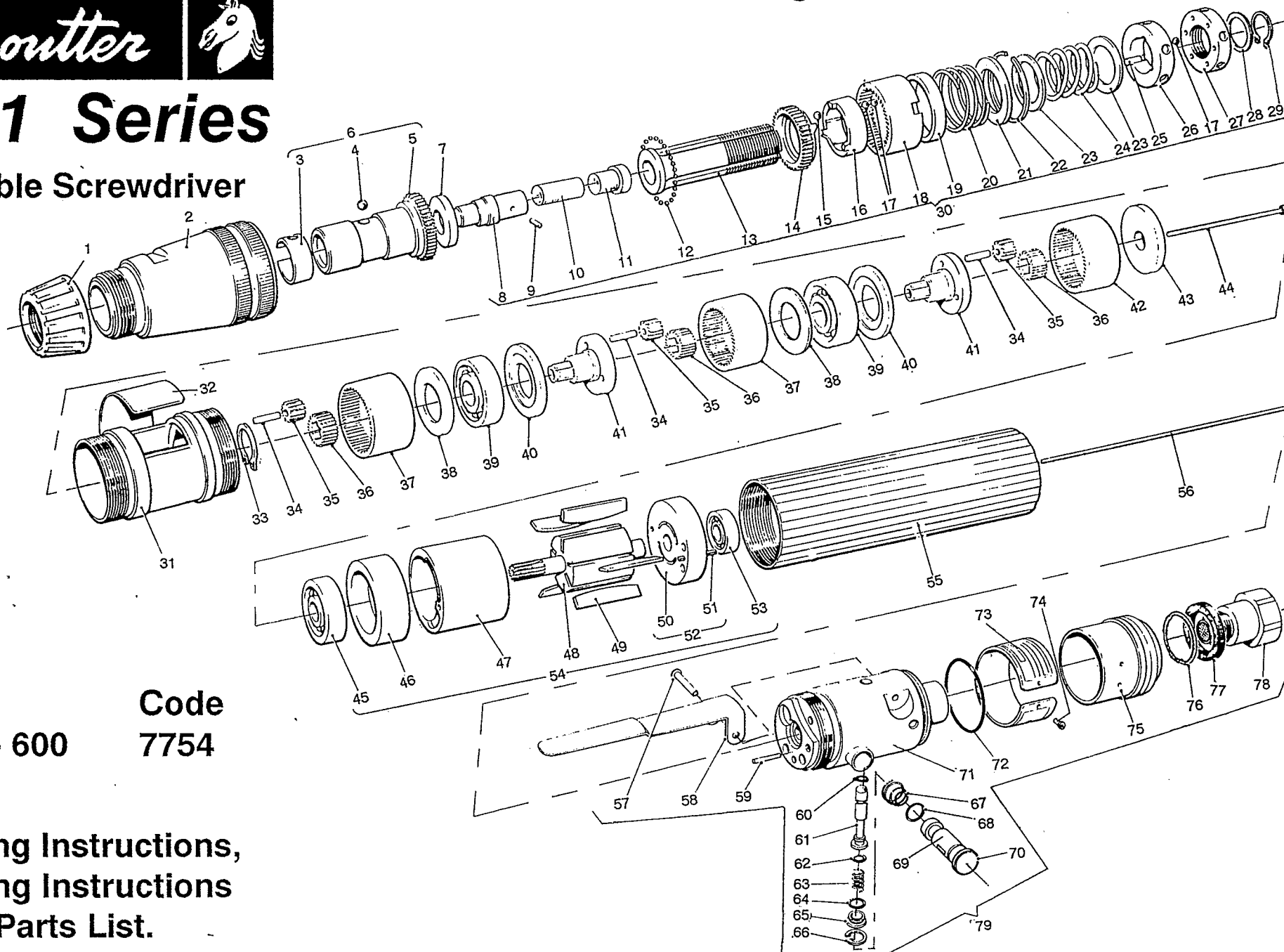


# Desoutter



## 2B81 Series

### Reversible Screwdriver



Type  
2B81 -L- 600

Code  
7754

Operating Instructions,  
Servicing Instructions  
and Parts List.

Item No.	Part No.	Description	Qty.	Item No.	Part No.	Description	Qty.
1	177163	Thread Protection Cap	1	*51	203903	Spirol Pin	1
2	179643	Bearing Housing Complete	1	52	177083	Rear Bearing Housing Complete	1
3	67458	Spring Ring	1	*53	8843	Bearing	1
4	72408	Ball	1	54	235983	Motor Complete	1
5	201123	Bit Holder - 5/16 in. Hex Drive	1	55	223633	Motor Case	1
6	201113	Bit Holder Complete - 5/16 in. Hex Drive	1	56	277563	Push Rod	1
7	179653	Thrust Bearing	1	57	201043	Lever Retaining Pin	1
8	179163	Spigot Pin	1	58	201033	Lever	1
*9	74523	Retaining Pin	1	*59	176923	Valve Retaining Pin	1
10	277283	Spacer (for tools after 1982 only)	1	*60	216473	'O' Ring	1
11	69423	Protection Cap	1	61	200993	Lever Valve Spindle	1
12	4023	Ball	24	*62	176273	'O' Ring	1
13	170343	Clutch Spindle	1	63	201013	Lever Valve Spring	1
14	179053	Driven Clutch	1	*64	43493	'O' Ring	1
15	44143	Steel Ball (7/64 in.)	3	65	201003	Valve Cap	1
16	205163	Sliding Clutch	1	*66	215613	Circlip	1
17	72228	Ball	9	67	96843	Spring	1
18	179073	Sliding Sleeve	1	*68	216473	'O' Ring	1
19	179083	Ball Retaining Ring	1	69	217693	Reverse Valve	1
20	179093	Spring	1	70	203933	Button	1
21	179103	Locating Washer	1	71	200973	Control Top and Bush	1
*22	179113	Circlip	1	*72	177923	'O' Ring	1
23	79168	Support Washer	2	73	209303	Name Plate	1
24	179923	Clutch Spring (white)	1	74	54853	Srew	2
25	170403	Dowel Pin	3	75	223363	Silencer Housing	1
26	170413	Lock Washer	1	*76	64093	'O' Ring	3
27	170423	Adjusting Nut	1	*77	223353	Silencer	1
28	203943	Washer	1	78	176283	Air Inlet Adaptor Complete	1
*29	42353	Circlip	1	# 79	226993	Control Top Complete - 1/8 in. BSP	1
30	179143	Clutch Complete	1				
31	170453	Clutch Case	1				
32	170463	Spring Clip	1				
*33	200083	Circlip	1				
34	170233	Planet Pin	9				
35	170223	Planet Gear	9				
36	170213	Pinion	3	215513	Exhaust Hose	1	
37	170273	Internal Gear	2	178963	Clutch Adjusting Rod	2	
38	170253	Washer	2	39433	Suspension Bail	1	
*39	2423	Bearing	2				
40	170243	Washer	2				
41	174313	Planet Cage Complete	2				
42	174303	Internal Gear	1	179133	Clutch Spring (black)	1	
43	177173	Washer	1	202413	Clutch Spring (orange)	1	
44	177213	Push Rod	1				
*45	64398	Bearing	1				
46	174353	Front Bearing Housing	1				
47	174323	Cylinder	1				
48	235943	Rotor	1				
*49	174363	Rotor Blade	4				
50	174343	Rear Bearing Housing	1				

## Supplied Accessories

215513	Exhaust Hose	1
178963	Clutch Adjusting Rod	2
39433	Suspension Bail	1

## Optional

179133	Clutch Spring (black)	1
202413	Clutch Spring (orange)	1

\* Indicates normal replacement items. It is recommended that adequate stocks are held for servicing requirements.

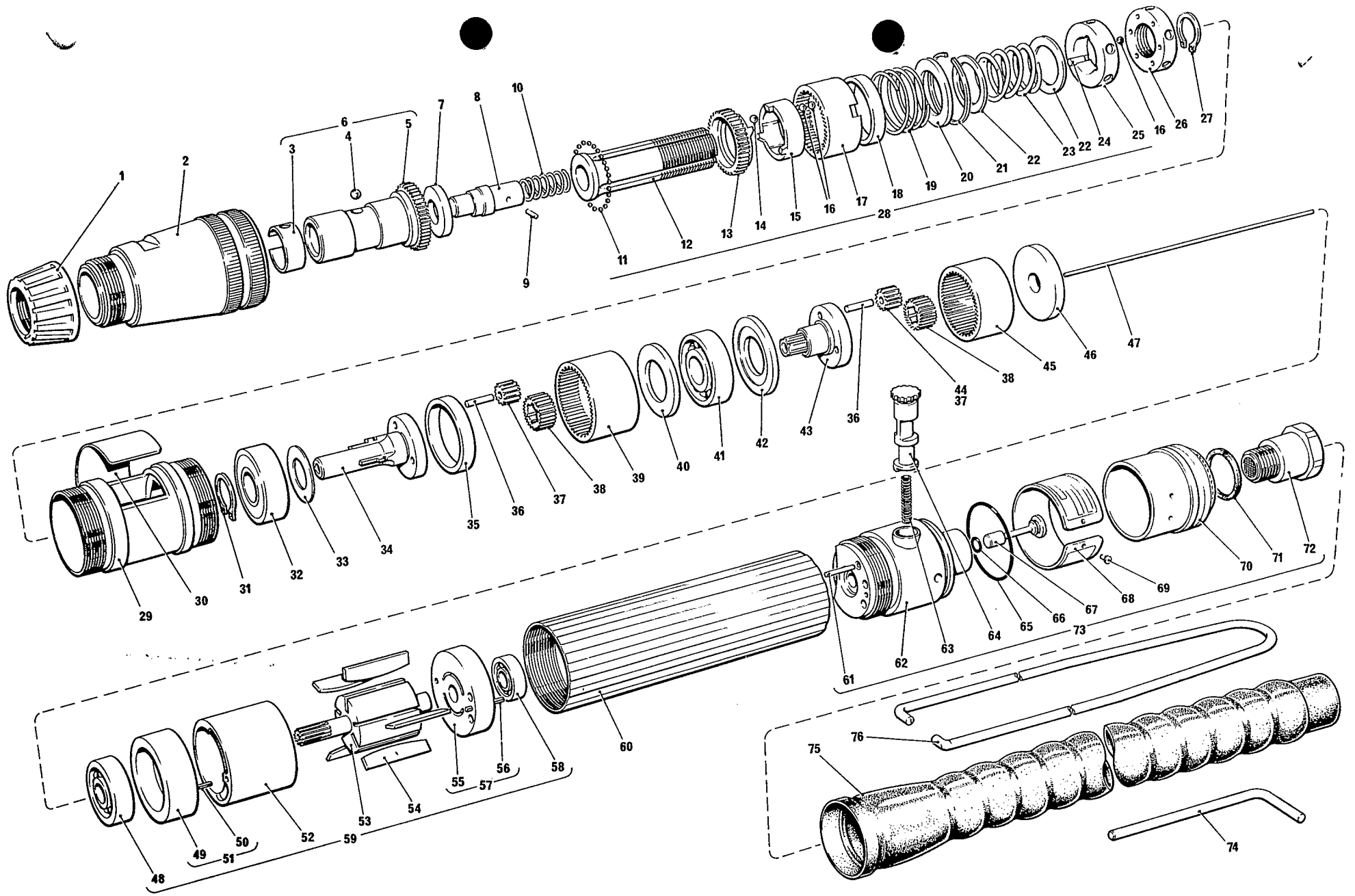
# Indicates updated parts.

Always quote tool model number, serial number and spare part number when ordering spares.

## Customer Notes;



Desoutter Limited  
 319, Edgware Road, Colindale, London NW9 6ND.  
 Telephone: 081-205 7050      Telex: 21392  
 Fax: 081-205 5167



*Desoutter*

2B81-A-1200  
2B81-A-1700

# PARTS LIST

Ref. No.	Part No.	Description	Qty	Ref. No.	Part No.	Description	Qty
1	177163	Thread Protection Cap	1	42	170243	Washer	1
2	179643	Bearing Housing and Bush Assembly	1	43	174243	Primary Planet Cage and Bush Assembly	1
3	86058	Spring Clip $\frac{1}{4}$ in Hex. Drive	1	44	170763	Planet Wheel (2B81-A-1200)	3
	67458	Spring Clip $\frac{3}{8}$ in Hex. Drive	1	45	174253	Internal Gear (2B81-A-1200)	1
4	66868	Ball $\frac{1}{4}$ in Hex. Drive	1		174303	Internal Gear (2B81-A-1700)	1
	72408	Ball $\frac{3}{8}$ in Hex. Drive	2	46	177173	Washer	1
5	179173	Bit Holder $\frac{1}{4}$ in Hex. Drive	1	47	177213	Push Rod	1
	201123	Bit Holder $\frac{3}{8}$ in Hex. Drive	1	* 48	64398	Bearing	1
6	179633	Bit Holder Assembly $\frac{1}{4}$ in Hex. Drive	1	49	174353	Front Bearing Housing	1
	201113	Bit Holder Assembly $\frac{3}{8}$ in Hex. Drive	1	50	154543	Pin	1
* 7	179653	Thrust Bearing	1	51	177093	Front Bearing Housing and Pin Assembly	1
8	179163	Spigot Pin	1	52	174323	Cylinder	1
9	74523	Pin	1	53	174373	Rotor (2B81-A-1200)	1
* 10	170433	Spring	1		174333	Rotor (2B81-A-1700)	1
* 11	4023	Ball Bearing	24	* 54	174363	Rotor Blade	5
12	170343	Clutch Spindle	1	55	174343	Rear Bearing Housing	1
13	179053	Driven Clutch	1	56	95963	Pin	1
* 14	44143	Ball Bearing	3	57	177093	Rear Bearing Housing Pin Assembly	1
15	179063	Sliding Clutch	1	* 58	8843	Bearing	1
* 16	72228	Ball	9	59	177193	Motor Assembly (2B81-A-1200)	1
17	179073	Sliding Sleeve	1		177183	Motor Assembly (2B81-A-1700)	1
18	179083	Ball Retaining Sleeve	1	60	174583	Motor Case	1
* 19	179093	Spring	1	61	176923	Pin	1
20	179103	Locating Washer	1	62	176223	Control Top and Bush Assembly	1
* 21	179113	Circlip	1	* 63	176963	Spring	1
22	79168	Washer	2	64	176253	Reverse Valve	1
23	179133	Clutch Spring (Black)	1	* 65	177923	'O' Ring	1
	179923	Clutch Spring (White)	1	* 66	176273	'O' Ring	1
24	170403	Roller	3	67	176263	Valve	1
25	170413	Lock Washer	1	68	As reqd.	Nameplate	1
26	170423	Adjusting Nut	1	69	54833	Rivet	2
* 27	42353	Circlip	1	70	179883	Silencer	1
28	179143	Clutch Assembly (Black)	1	* 71	179893	Rubber Washer	1
	200093	Clutch Assembly (White)	1	72	176283	Adaptor Assembly $\frac{1}{8}$ in BSP	1
29	170453	Clutch Case	1		177123	Adaptor Assembly $\frac{1}{2}$ in NPT	1
* 30	170463	Spring Ring	1	73	177133	Control Top Assembly $\frac{1}{8}$ in BSP	1
* 31	200083	Circlip	1		177143	Control Top Assembly $\frac{1}{2}$ in NPT	1
* 32	178543	Bearing	1	74	178963	Clutch Adjusting Rod	2
33	170293	Shim	1	75	39433	Suspension Bail	1
34	170283	Final Planet Cage	1	76	201213	Exhaust Hose	1
35	200213	Spacing Ring	1				
* 36	170233	Planet Pin	1				
37	170223	Planet Wheel (2B81-A-1200)	3				
	170223	Planet Wheel (2B81-A-1700)	6				
38	170213	Pinion (2B81-A-1200)	1				
	170213	Pinion (2B81-A-1700)	2				
39	170273	Internal Gear	1				
40	170253	Washer	1				
* 41	2423	Bearing	1				

**SERVICING TOOLS REQUIRED:**

178903	Combination Service Key	1
13963	Clamp Blocks	1 pr.
178973	Spanner for item No. 2	1

\* Indicates normal replacement items. It is recommended that adequate stocks are held for servicing requirements.