

Desoutter

2B81-A-1200
2B81-A-1700

Item No.	Part No.	Description	Qty.	Item No.	Part No.	Description	Qty.
1	177163	Thread Protection Cap	1	*51	203903	Spirol Pin	1
2	179643	Bearing Housing Complete	1	52	177083	Rear Bearing Housing Complete	1
3	67458	Spring Ring	1	*53	8843	Bearing	1
4	72408	Ball	1	54	235983	Motor Complete	1
5	201123	Bit Holder - 5/16 in. Hex Drive	1	55	223633	Motor Case	1
6	201113	Bit Holder Complete - 5/16 in. Hex Drive	1	56	277563	Push Rod	1
7	179653	Thrust Bearing	1	57	201043	Lever Retaining Pin	1
8	179163	Spigot Pin	1	58	201033	Lever	1
*9	74523	Retaining Pin	1	*59	176923	Valve Retaining Pin	1
10	277283	Spacer (for tools after 1982 only)	1	*60	216473	'O' Ring	1
11	69423	Protection Cap	1	61	200993	Lever Valve Spindle	1
12	4023	Ball	24	*62	176273	'O' Ring	1
13	170343	Clutch Spindle	1	63	201013	Lever Valve Spring	1
14	179053	Driven Clutch	1	*64	43493	'O' Ring	1
15	44143	Steel Ball (7/64 in.)	3	65	201003	Valve Cap	1
16	205163	Sliding Clutch	1	*66	215613	Circlip	1
17	72228	Ball	9	67	96843	Spring	1
18	179073	Sliding Sleeve	1	*68	216473	'O' Ring	1
19	179083	Ball Retaining Ring	1	69	217693	Reverse Valve	1
20	179093	Spring	1	70	203933	Button	1
21	179103	Locating Washer	1	71	200973	Control Top and Bush	1
*22	179113	Circlip	1	*72	177923	'O' Ring	1
23	79168	Support Washer	2	73	209303	Name Plate	1
24	179923	Clutch Spring (white)	1	74	54853	Srew	2
25	170403	Dowel Pin	3	75	223363	Silencer Housing	1
26	170413	Lock Washer	1	*76	64093	'O' Ring	3
27	170423	Adjusting Nut	1	*77	223353	Silencer	1
28	203943	Washer	1	78	176283	Air Inlet Adaptor Complete	1
*29	42353	Circlip	1	# 79	226993	Control Top Complete - 1/8 in. BSP	1
30	179143	Clutch Complete	1				
31	170453	Clutch Case	1				
32	170463	Spring Clip	1				
*33	200083	Circlip	1				
34	170233	Planet Pin	9				
35	170223	Planet Gear	9				
36	170213	Pinion	3	215513	Exhaust Hose	1	
37	170273	Internal Gear	2	178963	Clutch Adjusting Rod	2	
38	170253	Washer	2	39433	Suspension Bail	1	
*39	2423	Bearing	2				
40	170243	Washer	2				
41	174313	Planet Cage Complete	2				
42	174303	Internal Gear	1	179133	Clutch Spring (black)	1	
43	177173	Washer	1	202413	Clutch Spring (orange)	1	
44	177213	Push Rod	1				
*45	64398	Bearing	1				
46	174353	Front Bearing Housing	1				
47	174323	Cylinder	1				
48	235943	Rotor	1				
*49	174363	Rotor Blade	4				
50	174343	Rear Bearing Housing	1				

Supplied Accessories

215513	Exhaust Hose	1
178963	Clutch Adjusting Rod	2
39433	Suspension Bail	1

Optional

179133	Clutch Spring (black)	1
202413	Clutch Spring (orange)	1

* Indicates normal replacement items. It is recommended that adequate stocks are held for servicing requirements.

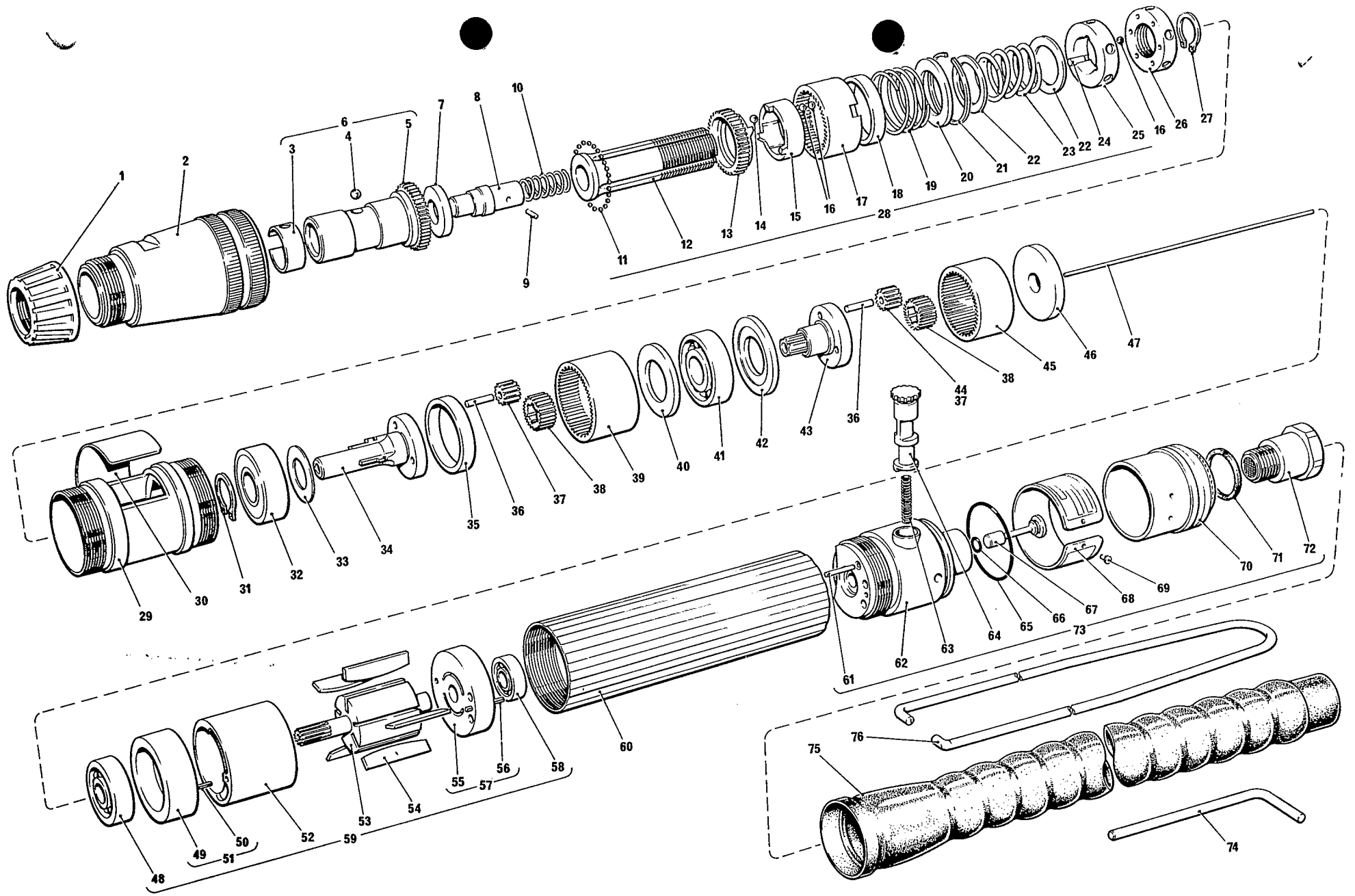
Indicates updated parts.

Always quote tool model number, serial number and spare part number when ordering spares.

Customer Notes;



Desoutter Limited
 319, Edgware Road, Colindale, London NW9 6ND.
 Telephone: 081-205 7050 Telex: 21392
 Fax: 081-205 5167



Desoutter

2B81-A-1200
2B81-A-1700

PARTS LIST

Ref. No.	Part No.	Description	Qty	Ref. No.	Part No.	Description	Qty
1	177163	Thread Protection Cap	1	42	170243	Washer	1
2	179643	Bearing Housing and Bush Assembly	1	43	174243	Primary Planet Cage and Bush Assembly	1
3	86058	Spring Clip $\frac{1}{4}$ in Hex. Drive	1	44	170763	Planet Wheel (2B81-A-1200)	3
	67458	Spring Clip $\frac{5}{16}$ in Hex. Drive	1	45	174253	Internal Gear (2B81-A-1200)	1
4	66868	Ball $\frac{1}{4}$ in Hex. Drive	1		174303	Internal Gear (2B81-A-1700)	1
	72408	Ball $\frac{5}{16}$ in Hex. Drive	2	46	177173	Washer	1
5	179173	Bit Holder $\frac{1}{4}$ in Hex. Drive	1	47	177213	Push Rod	1
	201123	Bit Holder $\frac{5}{16}$ in Hex. Drive	1	* 48	64398	Bearing	1
6	179633	Bit Holder Assembly $\frac{1}{4}$ in Hex. Drive	1	49	174353	Front Bearing Housing	1
	201113	Bit Holder Assembly $\frac{5}{16}$ in Hex. Drive	1	50	154543	Pin	1
* 7	179653	Thrust Bearing	1	51	177093	Front Bearing Housing and Pin Assembly	1
8	179163	Spigot Pin	1	52	174323	Cylinder	1
9	74523	Pin	1	53	174373	Rotor (2B81-A-1200)	1
* 10	170433	Spring	1		174333	Rotor (2B81-A-1700)	1
* 11	4023	Ball Bearing	24	* 54	174363	Rotor Blade	5
12	170343	Clutch Spindle	1	55	174343	Rear Bearing Housing	1
13	179053	Driven Clutch	1	56	95963	Pin	1
* 14	44143	Ball Bearing	3	57	177093	Rear Bearing Housing Pin Assembly	1
15	179063	Sliding Clutch	1	* 58	8843	Bearing	1
* 16	72228	Ball	9	59	177193	Motor Assembly (2B81-A-1200)	1
17	179073	Sliding Sleeve	1		177183	Motor Assembly (2B81-A-1700)	1
18	179083	Ball Retaining Sleeve	1	60	174583	Motor Case	1
* 19	179093	Spring	1	61	176923	Pin	1
20	179103	Locating Washer	1	62	176223	Control Top and Bush Assembly	1
* 21	179113	Circlip	1	* 63	176963	Spring	1
22	79168	Washer	2	64	176253	Reverse Valve	1
23	179133	Clutch Spring (Black)	1	* 65	177923	'O' Ring	1
	179923	Clutch Spring (White)	1	* 66	176273	'O' Ring	1
24	170403	Roller	3	67	176263	Valve	1
25	170413	Lock Washer	1	68	As reqd.	Nameplate	1
26	170423	Adjusting Nut	1	69	54833	Rivet	2
* 27	42353	Circlip	1	70	179883	Silencer	1
28	179143	Clutch Assembly (Black)	1	* 71	179893	Rubber Washer	1
	200093	Clutch Assembly (White)	1	72	176283	Adaptor Assembly $\frac{1}{8}$ in BSP	1
29	170453	Clutch Case	1		177123	Adaptor Assembly $\frac{1}{2}$ in NPT	1
* 30	170463	Spring Ring	1	73	177133	Control Top Assembly $\frac{1}{8}$ in BSP	1
* 31	200083	Circlip	1		177143	Control Top Assembly $\frac{1}{2}$ in NPT	1
* 32	178543	Bearing	1	74	178963	Clutch Adjusting Rod	2
33	170293	Shim	1	75	39433	Suspension Bail	1
34	170283	Final Planet Cage	1	76	201213	Exhaust Hose	1
35	200213	Spacing Ring	1				
* 36	170233	Planet Pin	1				
37	170223	Planet Wheel (2B81-A-1200)	3				
	170223	Planet Wheel (2B81-A-1700)	6				
38	170213	Pinion (2B81-A-1200)	1				
	170213	Pinion (2B81-A-1700)	2				
39	170273	Internal Gear	1				
40	170253	Washer	1				
* 41	2423	Bearing	1				

SERVICING TOOLS REQUIRED:

178903	Combination Service Key	1
13963	Clamp Blocks	1 pr.
178973	Spanner for item No. 2	1

* Indicates normal replacement items. It is recommended that adequate stocks are held for servicing requirements.