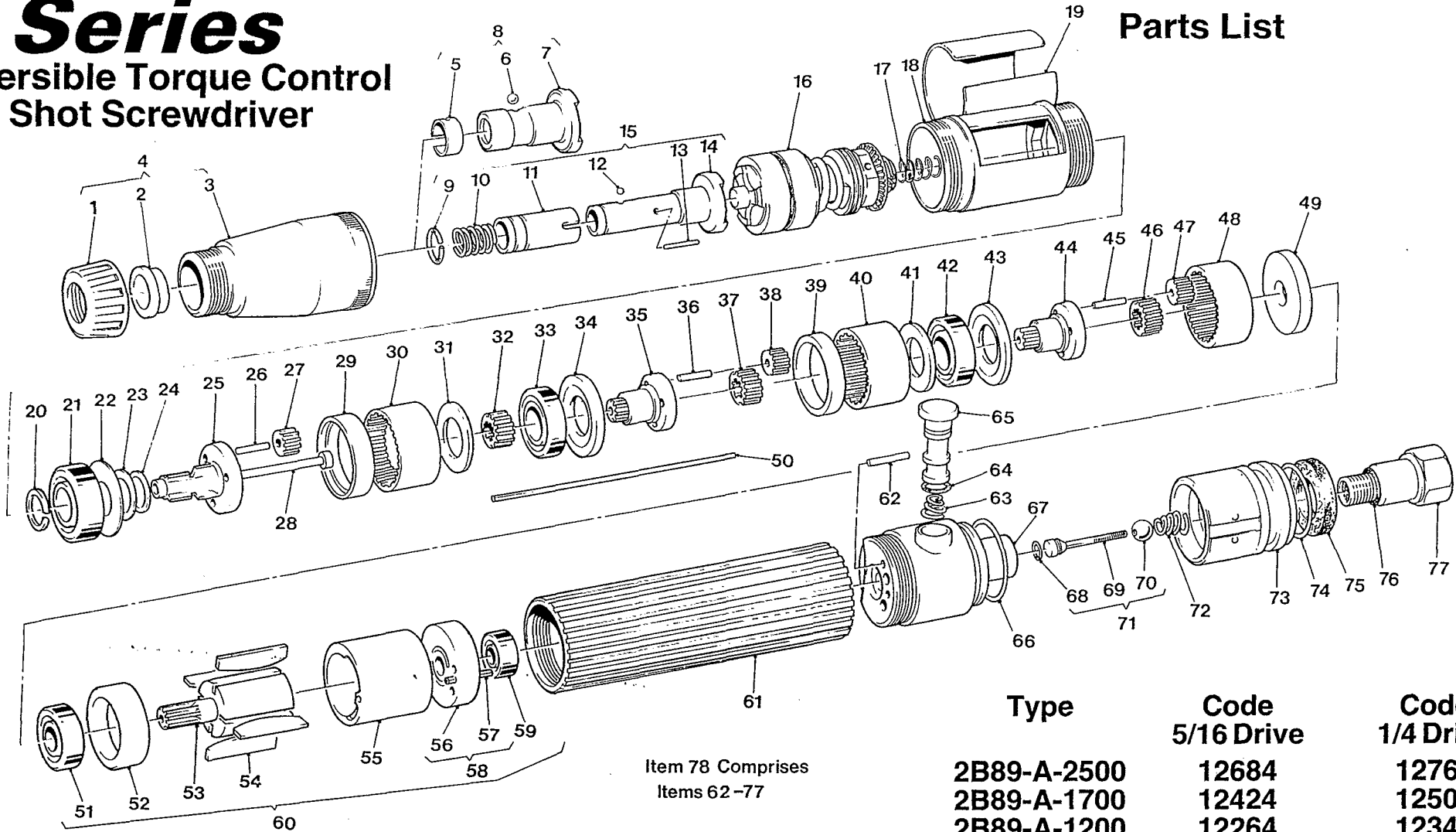


Desoutter


B Series

Reversible Torque Control
One Shot Screwdriver

Operating Instructions
Servicing Instructions
Parts List



Type	Code 5/16 Drive	Code 1/4 Drive
2B89-A-2500	12684	12764
2B89-A-1700	12424	12504
2B89-A-1200	12264	12344
2B89-A-950	8644	8564
2B89-A-600	12844	12924

Item No.	Part No.	Description	Qty.	Item No.	Part No.	Description	Qty.	Item No.	Part No.	Description	Qty.
1	177163	Thread Protecting Cap	1	32	170213	Pinion—1700, 1200, 950 & 600 rpm	1	61	174573	Motor Case—2500 rpm	1
2	73798	Bearing Bush	2	*33	2423	Bearing—1700, 1200, 950 & 600 rpm	1	—	174583	Motor Case—1700, 1200 & 950 rpm	1
3	302773	Bearing Housing	1	34	170243	Washer—1700, 1200, 950 & 600 rpm	1	—	223633	Motor Case—600 rpm	1
4	302793	Bearing Housing Assembly	1	35	174243	Planet Carrier—1200 & 950 rpm	1	62	176923	Valve Retaining Pin	1
5	86058	Spring Clip	1	—	174313	Planet Carrier—1700 & 600 rpm	1	63	96843	Spring	1
6	72408	Ball	1	36	170233	Planet Pin—1700, 1200, 950 & 600 rpm	3	*64	216463	'O' Ring	1
7	301153	Bit Holder—5/16in. Hexagon	1	37	170213	Pinion—1700 & 600 rpm	1	65	217703	Reverse Valve with Item 63	1
8	301143	Bit Holder Assembly—5/16in. Hexagon	1	38	170223	Planet Wheel—1700 & 600 rpm	3	*66	177923	'O' Ring	1
9	200083	Circlip	1	—	170763	Planet Wheel—1200 rpm	3	67	303253	Control Top	1
10	301013	Spring	1	39	274433	Planet Wheel—950 rpm	3	*68	216473	'O' Ring	1
11	301003	Sleeve	1	40	200213	Spacer Ring—600 rpm	1	69	303273	Valve Stem	1
12	280313	Ball	2	41	170273	Ring Gear—1700 & 600 rpm	1	70	303283	Ball	1
13	301043	Roller	1	—	174253	Ring Gear—1200 & 950 rpm	1	71	303263	Valve Stem Complete	1
14	300993	Bit Holder—1/4in. Hexagon	1	42	170253	Washer—600 rpm	1	72	303303	Spring	1
15	301033	Bit Holder Assembly—1/4in. Hexagon	1	43	2423	Bearing—600 rpm	1	73	223363	Silencer Housing	1
16	301323	Clutch Assembly—2500 rpm	1	44	170243	Washer—600 rpm	1	*74	64093	'O' Ring	1
—	301293	Clutch Assembly—1700, 1200 & 950 rpm	1	45	174313	Planet Carrier—600 rpm	1	75	223353	Silencer	1
—	304873	Clutch Assembly—600 rpm	1	46	170233	Planet Pin—600 rpm	3	*76	203713	'O' Ring	1
17	252563	Spring	1	47	170213	Pinion—600 rpm	1	77	176283	Adaptor—1/8in. BSP	1
18	302763	Clutch Housing	1	48	170223	Planet Wheel—600 rpm	3	—	177123	Adaptor—1/8in. NPT	1
19	302783	Spring Clip	1	49	174303	Ring Gear—600 rpm	1	78	303233	Control Top Complete—1/8in. BSP	1
*20	200083	Circlip	1	50	177173	Washer	1	—	303313	Control Top Complete—1/8in. NPT	1
*21	178543	Bearing	1	51	277573	Pushrod—2500 rpm	1	SUPPLIED ACCESSORIES			
22	216493	Shim	1	—	286133	Pushrod—1700, 1200 & 950 rpm	1	—	29932	Clutch Adjusting Key	1
23	206633	Shim	1	52	282623	Pushrod—600 rpm	1	—	39433	Suspension Bail	1
24	76640053	Shim	1	53	64398	Bearing	1	—	215513	Exhaust Hose	1
25	224513	Planet Carrier—2500 rpm	1	54	174353	Front Bearing Housing	1	OPTIONAL ACCESSORIES			
—	205193	Planet Carrier—1700, 1200, 950 & 600 rpm	1	55	235963	Rotor—2500 rpm	1	—	256513	Lockable Reverse Valve	1
26	170233	Planet Pin—2500 rpm	3	—	235943	Rotor—1700 & 600 rpm	1	—	72122	4mm Hexagon Bit Holder	1
—	170233	Planet Pin—1700, 1200 & 950 rpm	6	—	235953	Rotor—1200 & 950 rpm	1	—	299483	5mm Hexagon Bit Holder	1
—	170233	Planet Pin—600 rpm	9	*54	174363	Rotor Blade	4	—	74642	Split Bush— for T54 Drill Stand	1
27	224503	Planet Wheel—2500 rpm	3	55	174323	Cylinder	1	—	65092	Pistol Grip Kit	1
—	170223	Planet Wheel—1700, 1200, 950 & 600 rpm	3	56	174343	Rear Bearing Housing	1	* Indicates normal replacement items. It is recommended that adequate stocks are held for servicing requirements.			
28	291473	Pushrod	1	*57	203903	Pin	1	Always quote tool model number, tool serial number and spare part number when ordering spares.			
29	216483	Shim Housing	1	58	177083	Rear Bearing Housing Assembly	1				
30	224533	Ring Gear—2500 rpm	1	*59	8843	Bearing	1				
—	170273	Ring Gear—1700, 1200, 950 & 600 rpm	1	60	236213	Motor Complete—2500 rpm	1				
31	170253	Washer—1700, 1200, 950 & 600 rpm	1	—	235983	Motor Complete—1700 & 600 rpm	1				
—	—	—	—	—	235993	Motor Complete—1200 & 950 rpm	1				



Desoutter Limited,
 319 Edgware Road, Colindale, London NW9 6ND.
 Telephone: 01-205 7050 Telex: 21392
 Printed in England 4.89