

# Desoutter



Desoutter Limited. HP2 7DR. UK.

## 2F189-PX

**(GB)** Servicing Instructions  
Parts List  
Operating Instructions

**(D)** Wartungsanleitung  
Teileliste  
Bedienungsanleitung

**(F)** Manuel d'entretien  
Liste de pièces  
Manuel d'utilisation

**(E)** Instrucciones de Servicio  
Listas de Repuestos  
Instrucciones de Operación

**(P)** Instruções de Manutenção  
Listas de Peças  
Instruções de Funcionamento

**(I)** Istruzioni per la Manutenzione  
Elenco delle Parti  
Istruzioni Operative

**(GR)** Οδηγίες Συντήρησης  
Κατάλογοι Ανταλλακτικών  
Οδηγίες Λειτουργίας

**(NL)** Onderhoudsinstructies  
Onderdelenlijst  
Bedieningsinstructies

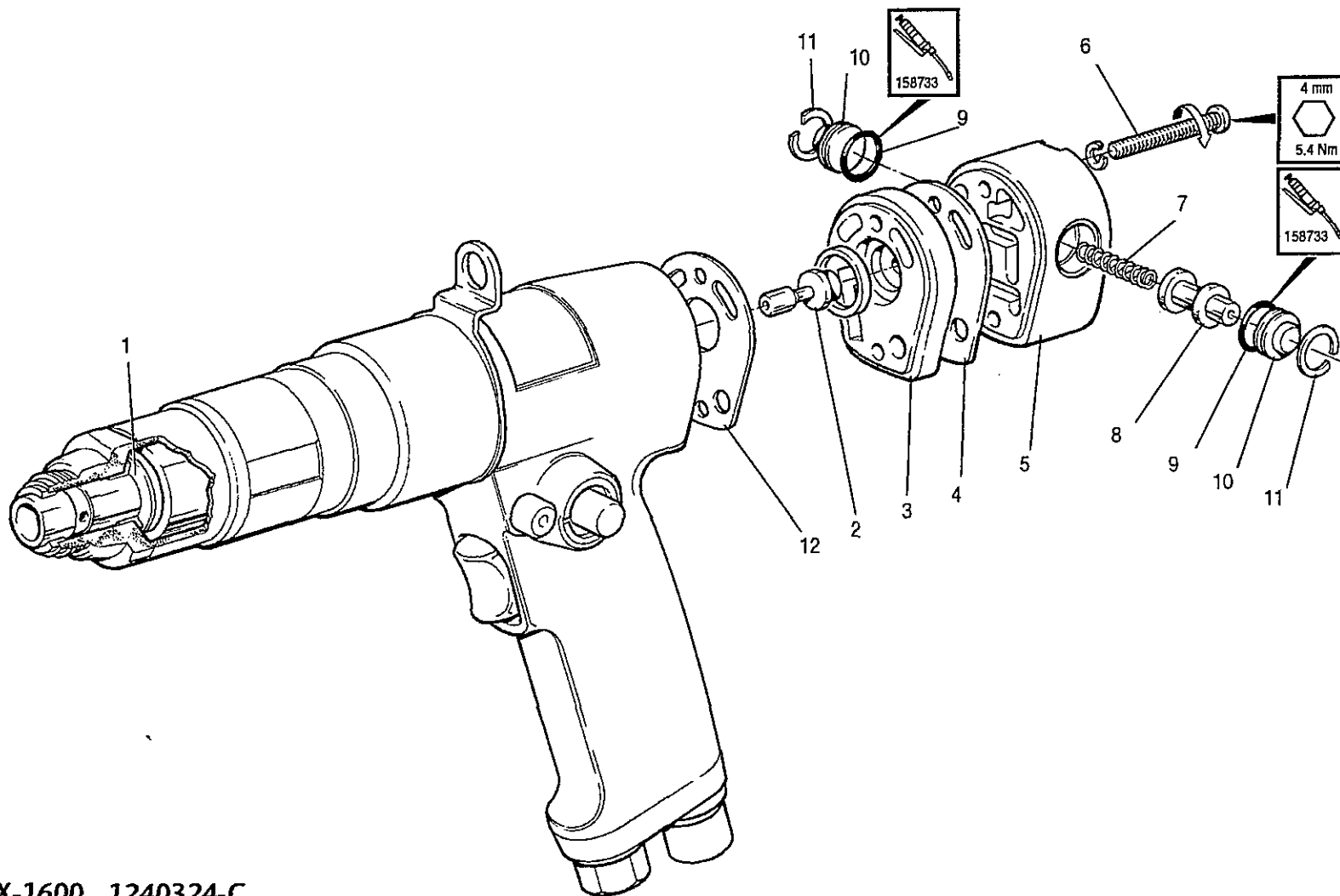
**(DK)** Servicevejledning  
Liste over dele  
Betjeningsvejledning

**(N)** Serviceinstruksjoner  
Delelister  
Driftsinstruksjoner

**(S)** Serviceinstruktioner  
Reservdelslista  
Bruksanvisning

**(FIN)** Huolto-ohjeet  
Osaluettelo  
Käyttöohjeet

2F189-PX-1600	1240324-C
2F189-PX- 900	1240584-C
2F189-PX- 600	1240744-C
2F189-PX- 400	1240904-C





Desoutter Limited. HP2 7DR. UK.

Item Ps. Nr. No. Article	Part No Teil Nr. Référence	Qty Menge Qté
1	296633 (1/4")	1
2	292433	1
3	269223	1
*4	269283	1
5	269253	1
6	236383	2
7	271093	1
8	269263	1
*9	202323	2
10	269273	2
*11	164993	2
*12	278793	1

2F189PX-1600 = 2F89PX-2000  
 2F189PX-900 = 2F89PX-1100  
 2F189PX-600 = 2F89PX-750  
 2F189PX-400 = 2F89PX-500

- (GB)** \* Indicates normal replacement items. It is recommended that adequate stocks are held for servicing requirements. Always quote tool model number, serial number and spare part number when ordering spares.
- (D)** \* Bedeutet normale Verschleißteile. Es empfiehlt sich eine angemessene Menge für Wartungszwecke auf Lager zu halten. Bei der Bestellung von Ersatzteilen, bitte immer angeben: Typennummer der Bohrmaschine, Werknummer und Ersatzteilnummer.
- (F)** \* Le symbole astérisque (\*) indique des articles de rechange normaux. Il est recommandé d'en conserver des stocks suffisants pour assurer toutes les opérations d'entretien courant. Lors de la commande de pièces de rechange, toujours citer le numéro de modèle de l'outillage, son numéro de série et le numéro de référence de chaque pièce de rechange.
- (E)** \* Indica elementos de reposición regular. Se recomienda tener una cantidad adecuada de los mismos en reserva a efectos de mantenimiento. Al encargar piezas de recambio, siempre debe indicarse el número de modelo de la herramienta, su número de serie y el número de la pieza de recambio.
- (P)** \* Indica itens que são substituídos regularmente. É recomendado que estoques adequados sejam mantidos para requisitos de manutenção. Cite sempre o número do modelo da ferramenta, número de série, e número da peça acessória quando pedindo acessórios.
- (I)** \* L'asterisco denota ricambi normali. Si consiglia di mantenere scorte adeguate alle esigenze della manutenzione. Nell'ordinazione di ricambi citare il numero di modello dell'utensile, il numero di matricola e quello di catalogo del pezzo.
- (GR)** \* Σημαίνει συνηθισμένα είδη (τεμάχια) για αντικατάσταση. Σας συνιστούμε να τηρείτε αρκετό απόθεμα από τα είδη που χρειάζονται αντικατάσταση. Όταν παραγγέλνετε ανταλλακτικά πάντα να γράφετε τον αριθμό μοντέλου του εργαλείου, τον αριθμό σειράς και τον αριθμό ανταλλακτικού.
- (NL)** \* Betekent normale reserveartikelen. Het verdient aanbeveling om voldoende voor onderhoudsbehoeften voorradig te hebben. Bij bestelling van reserveonderdelen geef altijd modelnummer, volgnummer en reserveonderdeelnummer van het werktuig op.
- (DK)** \* Indikerer normale udskiftningsemner. Det anbefales at have rigelige forsyninger af dele til brug i forbindelse med eftersyn. Opgiv altid det korrekte værktøjsmodelnummer, serienummer og reservedelsnummer ved bestilling af reservedele.
- (N)** \* Angir normale reservedeler. Det anbefales at tilstrekkelig antall reservedeler holdes på lager. Ved bestilling av deler må man alltid oppgi verktøyets modellnr., serienr. og reservedelens nr.
- (S)** \* Utmärker normala reservdelar. Vi rekommenderar att tillräckligt antal lagras för serviceändamål. Uppge alltid verktygets modellnummer, serienummer samt reservedelens nummer vid beställning av reservdelar.
- (FIN)** \* Viittaa tavallisiin varaosiin. Suosittelemme, että riittäviä määriä pidetään varastossa huoltotarpeita varten. Työkalun mallinnumero, sarjanumero ja varaosan numero on aina mainittava tilattaessa.



Desoutter Limited. HP2 7DR. UK.

**STATEMENT OF USE**

Product is designed for installing threaded captive fasteners in metal and plastic. No other use permitted.

As purchased this tool is fitted with a Nose Attachment Kit to suit the thread in the captive fastener. Details of these kits will be found below.

**OPERATING**

With the captive fastener located in position the operator should engage the drive screw mandrel part of the nose attachment kit with the fastener. Press and hold on the control lever.

This tool will run down onto the fastener and lock it in position; at this point the pre-set clutch will action automatically selecting reverse rotation to power the tool out of the fastener.

The throttle control should only be released when the tool has completed the work cycle.

NOTE: Should a fault be encountered during a fixing operation the manual reverse button should be pressed to disengage the tool.

**CLUTCH ADJUSTMENT**

The basic adjustment is for the 2F89 tool. Trial operations must be carried out to obtain the ideal fixing for the fastener; too weak a clutch setting and the fastener will be loosely retained, too strong a setting and the thread in the fastener could be damaged.

**SERVICING INSTRUCTIONS**

The information found in the 2F89 Service Sheet should be used when servicing this tool. Mechanical variations are shown in the illustrations.

**Lubrication**

158733 = Molycote PG75      307463 = Loctite Superflex clear  
 208893 = Rocol M204G      273273 = BP Q5618  
 273283 = BP FG00EP      27652 = ISO VG 15

**DATA**

Maximum air pressure Pmax = 6.3 bar  
 Minimum air pressure Pmin = 2.0 bar  
 Sound Pressure Level (dBa) = 82 ± 2 re CAGI-PNEUROP

Test code  
 Vibration Level (m/sec<sup>2</sup>) = <2.5 re ISO 8662

Weight  
 2F189 PX-1600 = 1.5 kg.  
 2F189 PX- 900 = 1.6 kg.  
 2F189 PX- 600 = 1.6 kg.  
 2F189 PX- 400 = 1.6 kg.

©Copyright 1998, Desoutter Limited. HP2 7DR. UK.  
 All rights reserved. Any unauthorized use or copying of the contents or part thereof is prohibited. This applies in particular to trademarks, model denominations, part numbers and drawings.  
 Use only authorized parts. Any damage or malfunction caused by the use of unauthorized parts is not covered by Warranty or Product Liability.

These sizes made to special order									
NOSE ATTACHMENT KITS									
Thread Size	Nose Part No.	Thrust Washer Part No.	Thrust Bearing Part No.	Bearing sleeve/washer Part No.	Drive Screw mandrel Part No.	Drive Key A/F size Part No.	Spring Part No.	Assembly 1-7 Part No.	
M3 x 0.5	273513	273603	273613	273423	35mm 279683	2.5mm 72362	16313	76552	
M4 x 0.7	273533	273603	273613	273443	35mm 273643	3mm 72172	16313	76562	
M5 x 0.8	273563	273603	273613	273473	35mm 273653	4mm 72192	16313	76572	
M6 x 1.0	273573	273603	273613	273483	35mm 273893	5mm 72222	16313	76582	
M8 x 1.25	273593	273603	273613	279023	40mm 236503	6mm 72242	16313	76592	
6x 32 UNC	273523	273603	273613	273433	1 1/4" 273663	3/32" 72162	16313	76602	
8x 32 UNC	273543	273603	273613	273453	1 1/2" 101523	1/8" 72182	16313	76622	
10x 24 UNC	273553	273603	273613	273463	1 1/2" 273673	5/32" 72192	16313	76632	
10x 32 UNF	273553	273603	273613	273463	1 1/2" 273683	5/32" 72192	16313	76642	
1/2" UNC	273583	273603	273613	273493	1 1/2" 273693	3/16" 72202	16313	76652	
1/4" UNF	273583	273603	273613	273493	1 1/2" 78283	3/16" 72202	16313	76662	
3/16" BSF	273553	273603	273613	273463	1 1/4" 273713	5/32" 72192	16313	76692	
1/4" BSF	273583	273603	273613	273493	1 1/2" 273723	3/16" 72202	16313	76702	
1/8" Whit	273513	273603	273613	273423	1 1/4" 273743	3/32" 72162	16313	76732	
3/16" Whit	273553	273603	273613	273463	1 1/4" 273753	5/32" 72192	16313	76742	
Whit	273583	273603	271613	273493	1 1/2" 15783	3/32" 72202	16313	76752	
4BA	273523	273603	273613	273433	1 1/4" 273663	3/32" 72162	16313	76602	
2BA	273553	273603	273613	273463	1 1/2" 101523	5/32" 72182	16313	76622	
0BA	273573	273603	273613	273483	1 1/2" 101523	3/16" 72202	16313	76792	

**WARNING**

BEFORE OPERATING THIS TOOL, READ AND UNDERSTAND PNEUMATIC SCREWDRIVER SAFETY INSTRUCTIONS PART NO. 37027.3