

# Desoutter

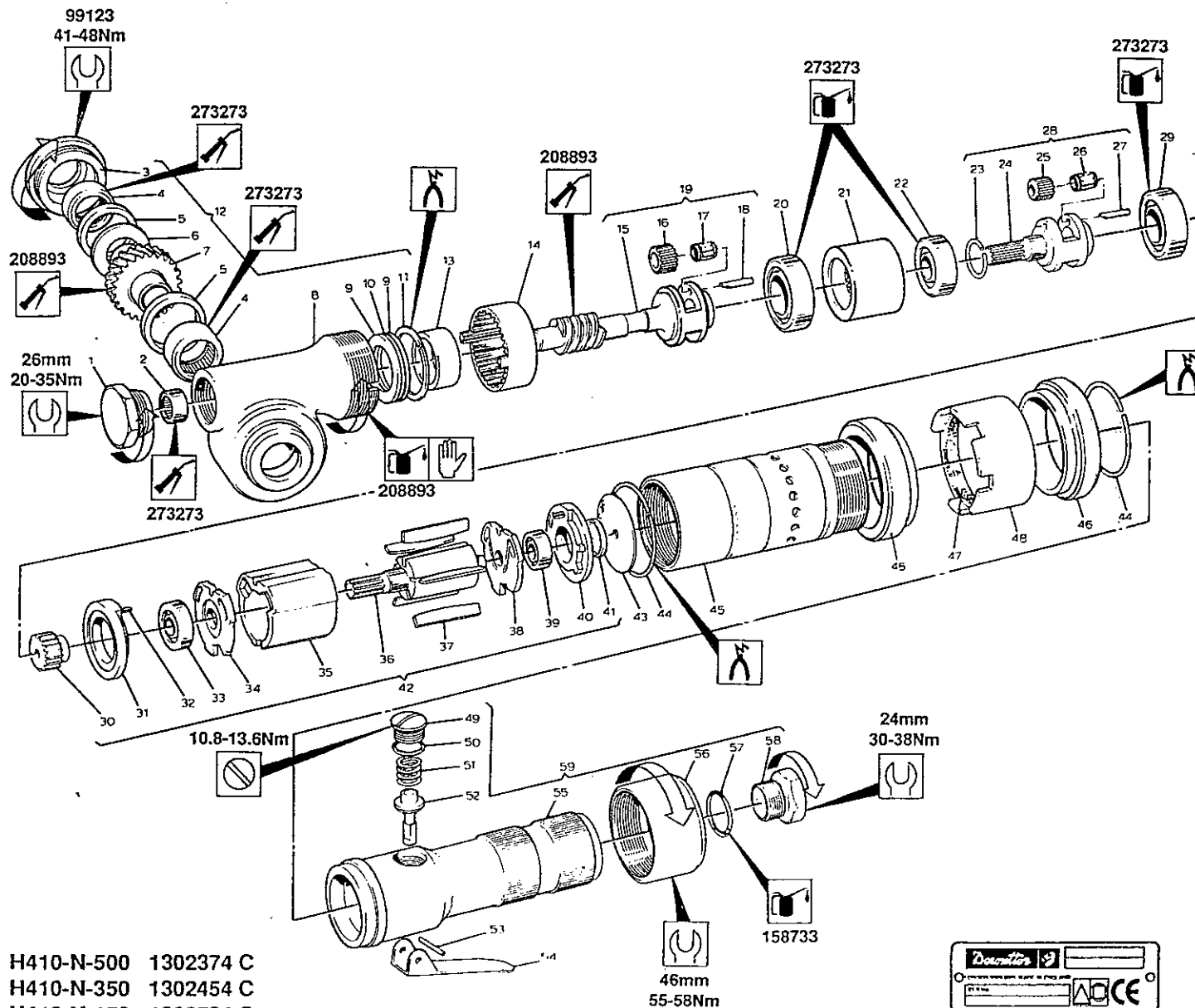


Desoutter Limited. London NW9 6ND UK

## H410

### Servicing Instructions

- (GB)** Operating Instructions
  - (D)** Wartungsanleitung
  - (F)** Manuel d'entretien
  - (E)** Instrucciones de Operación
  - (P)** Instruções de Funcionamento
  - (I)** Istruzioni Operative
  - (GR)** Οδηγίες Συντήρησης
  - (NL)** Bedieningsinstructies
  - (DK)** Betjeningsvejledning
  - (N)** Driftsinstruksjoner
  - (S)** Bruksanvisning
  - (FIN)** Osaluettelo
- Parts List  
 Teiliste  
 Manuel d'utilisation  
 Liste de pièces  
 Instrucciones de Servicio  
 Listas de Repuestos  
 Instruções de Manutenção  
 Listas de Peças  
 Istruzioni per la Manutenzione  
 Istruzioni Operative  
 Elenco delle Parti  
 Οδηγίες Συντήρησης  
 Κατάλογοι Ανταλλακτικών Μερών  
 Οδηγίες Λειτουργίας  
 Onderhoudsinstructies  
 Onderdelenlijst  
 Servicevejledning  
 Liste over dele  
 Serviceinstruksjoner  
 Delelister  
 Serviceinstruktioner  
 Reservdelslista  
 Huolto-ohjeet  
 Käyttöohjeet



H410-N-500	1302374	C
H410-N-350	1302454	C
H410-N-150	1302534	C
H410-N-90	1302614	C
H410-N-60	1302794	C



# Parts List/Teileliste/Liste de Pièces



Desoutter Limited. London NW9 6ND UK

Item No. Pos.Nr. No. Article	Part No. Teil. No. Référence	Qty Menge Qté	Item No. Pos.Nr. No. Article	Part No. Teil. No. Référence	Qty Menge Qté	Item No. Pos.Nr. No. Article	Part No. Teil. No. Référence	Qty Menge Qté
1	200413	1	25	49703	2	42	271823	1
* 2	67493	1		H410-150			H410-500,-90	
3	33663	1	-	80003	2	-	271783	1
* 4	33683	2		H410-90			H410-350,-60	
5	33673	2	-	1353	2	-	273853	1
* 6	229420103	-	* 26	H410-60	2	43	275433	1
-	229420153	-		502093	2	* 44	H410-90,-60	2
-	229020203	-		H410-150		45	28693	2
7	80053	1	-	502103	2		279353	1
8	67343	1		H410-90,-60			H410-500,-350	
9	70613	2	* 27	1453	2	-	279363	1
* 10	70603	1		H410-150			H410-150,-90,-60	
* 11	70643	1	-	80013	2	46	500303	1
12	200383	1		H410-90,-60		47	203473	2
13	92083	1	28	88443	1	48	500313	1
14	77783	1		H410-150		49	152073	1
-	H410-500,-150,-90,-60		-	5953	1	* 50	54213	1
-	82583	1	-	H410-90		51	32353	1
-	H410-350		-	7603	1	52	218393	1
15	200403	1	* 29	H410-60	1	53	159373	1
16	80003	2		1483	1	54	159273	1
-	H410-500,-150,-90,-60		-	H410-150		55	263243	1
-	1353	2	30	1673	1	56	287923	1
-	H410-350			H410-90,-60		* 57	67833	1
* 17	502103	2	31	273873	1	58	151583 (BSP) -	
18	80013	2	32	H410-150		-	172753 (NPT) -	
19	201053	1	* 33	265063	1	59	287933 (BSP) -	
-	H410-500,-150,-90,-60		34	256123	2	-	287943 (NPT) -	
-	200393	1	35	80253	1			
-	H410-350		36	265043	1			
* 20	1673	1	-	265033	1			
21	5643	1		265103	1			
-	H410-150,-60			H410-500,-90				
-	5303	1		265093	1			
-	H410-90		* 37	H410-350,-60	5			
* 22	9608	1	38	265113	1			
* 23	50713	1	* 39	H410-150	1			
-	H410-150		40	9433	5			
24	27403	1	41	265053	1			
-	H410-150			265063	1			
-	5653	1		265073	1			
-	H410-90,-60			265073	1			

\* Indicates normal replacement items. It is recommended that adequate stocks are held for servicing requirements.

Always quote tool model number, serial number and spare part number when ordering spares.

\* Bedeutet normale Verschleißteile. Es empfiehlt sich eine angemessene Menge für Wartungszwecke auf Lager zu halten.

Bei der Bestellung von Ersatzteilen, bitte immer angeben: Typennummer der Bohrmaschine, Werknummer und Ersatzteilnummer.

\* Le symbole astérisque (\*) indique des articles de rechange normaux. Il est recommandé d'en conserver de stocks suffisants pour assurer toutes les opérations d'entretien courant.

Lors de la commande de pièces de rechange, toujours citer le numéro de modèle de l'outillage, son numéro de série et le numéro de référence de chaque pièce de rechange.

\* Indica elementos de reposición regular. Se recomienda tener una cantidad adecuada de los mismos en reserva a efectos de mantenimiento.

Al encarga piezas de recambio, siempre debe indicarse el número de modelo de la herramienta, su número de serie y el número de la pieza de recambio.

\* Indica itens que são substituídos regularmente. É recomendado que estoques adequados sejam mantidos para requisitos de manutenção.

Cite sempre o número do modelo da ferramenta, número de série, e número da peça acessória quando pedindo acessórios.

\* L'asterisco denota ricambi normali. Si consiglia di mantenere scorte adeguate alle esigenze della manutenzione.

Nell'ordinazione di ricambi citari il numero di modello dell'utensile, il numero di matricola e quello di catalogo del pezzo.

\* Σημαίνει συννηθισμένα είδη (τεμάχια) για αντικατάσταση. Σας συνιστούμε να τηρείτε αρκετό απόθεμα από τα είδη που χρειάζονται αντικατάσταση.

Όταν παραγγέλνετε ανταλλακτικά πάντα να γράφει τον αριθμό μοντέλου του εργαλείου, τον αριθμό σειράς και τον αριθμό ανταλλακτικού.

\* Betekent normale reserveatikelen. Het verdient aanbeveling om voldoende voor onderhoudsbehoeften voordig te hebben.

Bij Bestelling van reserveonderdelen geef altijd modelnummer, volgnummer en reserveonderdeelnnummer van het werktuig op.

\* Indikerer normale udskiftningsemner. Det anbefales at have rigelige forsyninger af dele til brug i forbindelse med eftersyn.

Opgiv altid det korrekte værktøjsmodelnummer, serienummer og reservedelsnummer ved bestilling af reservedele.

\* Angir normale reservedeler. Det anbefales at tilstrekkelig antall reservedeler holdes på lager.


Ved bestilling av deler må man alltid oppgi verktøyets modellnr., serienr. og reservedelens nr.

\* Utmärker normala reservdelar. Vi rekommenderar att tillräckligt antal lagras för serviceändamål.

Uppge alltid verktygets modellnummer, serienummer samt reservedelens nummer vid beställning av reservdelar.

\* Viittaa tavallisiin varaosiin. Suosittelemme, että riittäviä määriä pidetään varastossa huoltotarpeita varten.

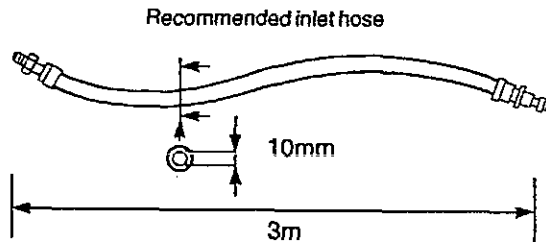
Työkälun mallinnumero, sarjanumero ja varasosan numero on aina mainttava tilattaessa.

	<b>WARNING</b>
	BEFORE OPERATING THIS TOOL, READ AND UNDERSTAND WRENCH SAFETY INSTRUCTIONS PART No. 379303

**STATEMENT OF USE**

This product is designed for the installing and removing of threaded fasteners.

**GENERAL**



**LUBRICATION**

Correct lubrication is vital for the maximum performance of the tool and an airline lubricator should be fitted into the system down stream of the filter. Use ISO VG 15.

- |                        |                       |
|------------------------|-----------------------|
| 158733 = Molykote PG75 | 273283 = BP FG00EP    |
| 208893 = BP PE0195     | 27662(5L) = ISO VG15  |
| 273273 = BP LS EP1     | 27652(250ml)=ISO VG15 |

**DATA**

- Maximum air Pressure Pmax = 6.3 bar (H410-150,-300,-500)  
4.0 bar (H410-90,-60)
- Minimum air pressure Pmin = 2.0 bar
- Sound Pressure Level (dBA) = 83 ±2 re.CAGI-PNEUROP  
Test Code
- Vibration Level (m/s<sup>2</sup>) = <2.5 re. ISO 8662
- Mass in Kg. = 1.1 Kg


**ACCESSORIES**

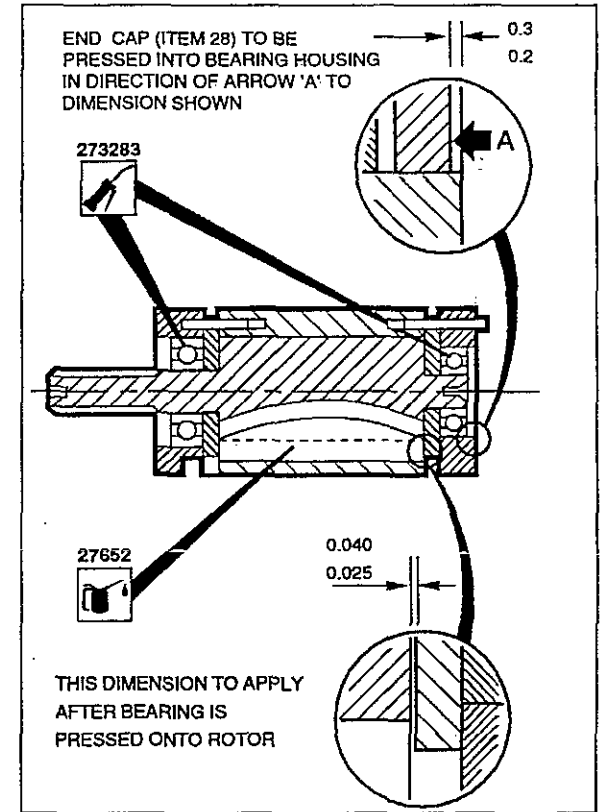
A range of accessories are available and suitable items should be selected from the Desoutter accessories catalogue.

**OPERATING INSTRUCTIONS**

1. Start at a low air supply pressure setting and increase the pressure until the required torque output is obtained.

**MAINTENANCE INSTRUCTIONS**

1. Servicing should be carried out at intervals of 1000 hours use.
2. All torque figures ±10%.
3. Replace as necessary all 'O' rings, bearings and rotor blades, see service kits.
4.  Indicates direction of dismantling.
5. When disposing of components, lubricants, etc. ensure that the relevant safety procedures are carried out.



© Copyright 1994, Desoutter, London NW9 6ND, UK

Any unauthorized use or copying of the contents or part thereof is prohibited. This applies in particular to trademarks, model denominations, part numbers and drawings.

Use only authorized parts. Any damage or malfunction caused by the use of unauthorized parts is not covered by Warranty or Product Liability.