

# Desoutter



Desoutter Limited, London NW9 6ND

## "Roller-Tork" Clutch

(GB) Servicing Instructions  
 Parts List  
 Operating Instructions

(D) Wartungsanleitung  
 Teileliste  
 Bedienungsanleitung

(F) Manuel d'entretien  
 Liste de pièces  
 Manuel d'utilisation

(E) Instrucciones de Servicio  
 Listas de Repuestos  
 Instrucciones de Operación

(P) Instruções de Manutenção  
 Listas de Peças  
 Instruções de Funcionamento

(I) Istruzioni per la Manutenzione  
 Elenco delle Parti  
 Istruzioni Operative

(GR) Οδηγίες Συντήρησης  
 Κατάλογοι Ανταλλακτικών  
 Οδηγίες Λειτουργίας

(NL) Onderhoudsinstructies  
 Onderdelenlijst  
 Bedieningsinstructies

(DK) Servicevejledning  
 Liste over dele  
 Betjeningsvejledning

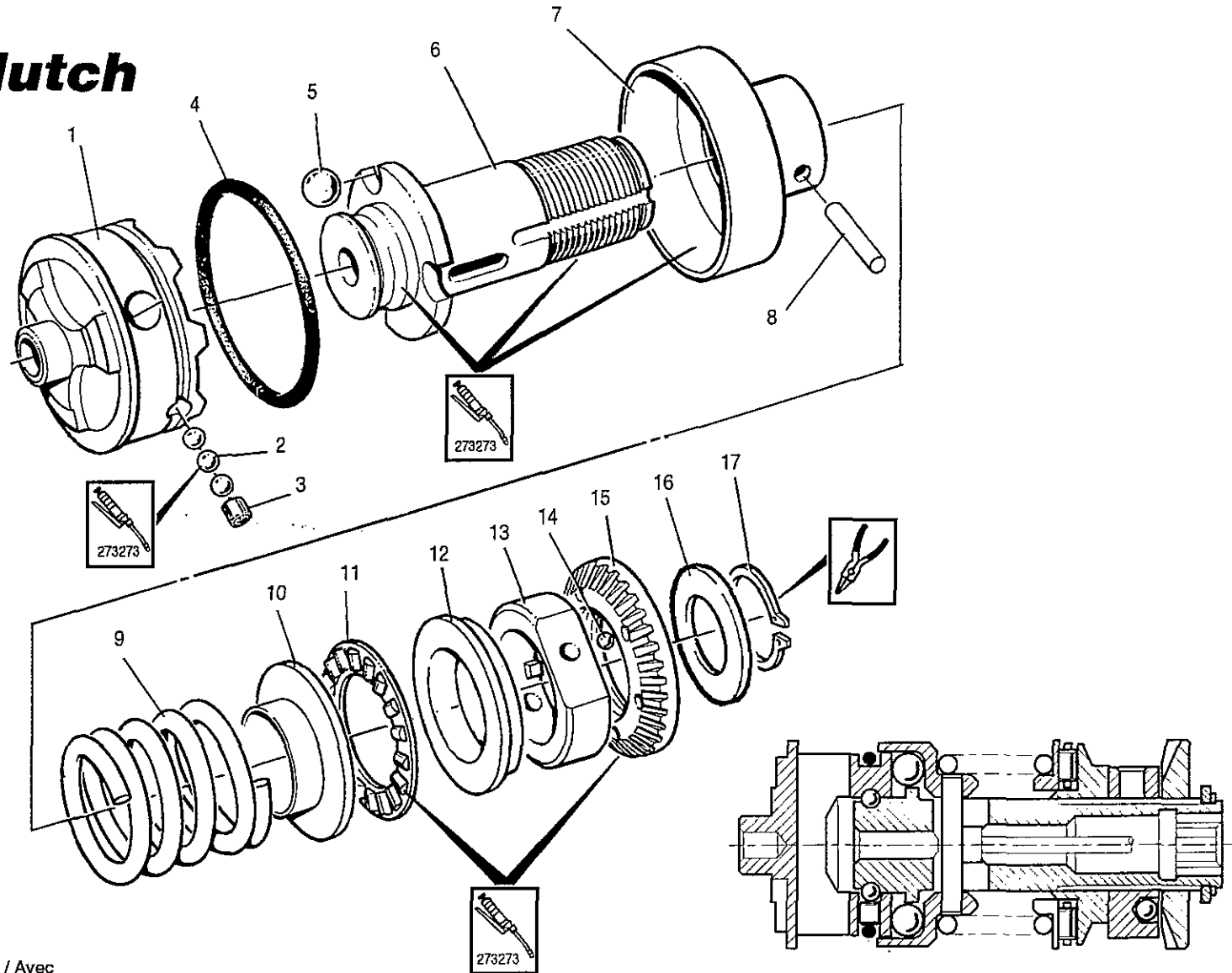
(N) Serviceinstruksjoner  
 Delelister  
 Driftsinstruksjoner

(S) Serviceinstruktioner  
 Reservdelslista  
 Bruksanvisning

(FIN) Huolto-ohjeet  
 Osaluettelo  
 Käyttöohjeet

Part No.  
 Teil Nr.  
 Référence With / Mit / Avec

**309813** Green Spring/ Grüne Feder / Ressort Vert  
**303553** Natural Spring / Naturfarbene Feder / Ressort Neutre



**PARTS LIST**

Item	Part No	Qty
1	301273	1
2	72228	14
3	301283	1
4	239753	1
5	66868	4
6	303543	1
7	303523	1
8	288273	1
9	309853(G)	1
	(309813)	
	179923 (W)	1
	(308603)	
	303503 (N)	1
	(303553)	
10	303513	1
11	301303	1
12	301213	1
13	301233	1
14	72408	3
15	301223	1
16	203943	1
17	42353	1

**INTRODUCTION**

Before commencing work make sure that the fault is clutch related and not in the tool itself. Also that spare parts are to hand.

**TO DISMANTLE**

NOTE: Check Fault Finding Section before dismantling clutch. Stand the clutch upright, on the work bench, with the adjustment end at the top. Using the illustration as a guide, carefully dismantle the tool.

**TO ASSEMBLE:**

NOTE: Use BP Q5618 grease where indicated. Grease the ball tracks in clutch cam (1) and spindle (6). Bring together and feed the fourteen balls (2) into their tracking. Insert roller (3) after the last ball. Apply grease to each slot and locate the six balls (5x4) followed by the ball cup (7)

**LUBRICATION**

273273 = BP Q5618

**FAULT FINDING**

**Fault**

1. Tool starts immediately power is applied (push start tools only).
2. Tool fails to start or runs too slowly.
3. Tool ratchets.
4. Tool works once but fails to reset.
5. Tools shut off but without disengaging drive, causing excessive operator reaction.

**Possible Cause**

- Protrusion of push-rod from tool too long.
- Protrusion of push-rod from tool too short.
- Protrusion of push-rod from tool too long, (pistol-grip and lever start tools only).  
Push-rod jammed.
- Protrusion of push-rod from tool too long. Latch pin jamming.  
Clutch push-rod jamming in spindle.  
Clutch push-rod not retracting completely into spindle.
- Clutch spring over compressed.

©Copyright 1995, Desoutter, London NW9 6ND, UK.  
All rights reserved. Any unauthorized use or copying of the contents or part thereof is prohibited. This applies in particular to trademarks, model denominations, part numbers and drawings. Use only authorized parts. Any damage or malfunction caused by the use of unauthorized parts is not covered by Warranty or Product Liability.



Desoutter Limited