

Desoutter



Desoutter Limited. HP2 7DR.UK.

S5Z2A

(GB) Servicing Instructions
Parts List
Operating Instructions

(D) Wartungsanleitung
Teilliste
Bedienungsanleitung

(F) Manuel d'entretien
Liste de pièces
Manuel d'utilisation

(E) Instrucciones de Servicio
Listas de Repuestos
Instrucciones de Operación

(P) Instruções de Manutenção
Listas de Peças
Instruções de Funcionamento

(I) Istruzioni per la Manutenzione
Elenco delle Parti
Istruzioni Operative

(GR) Οδηγίες Συντήρησης
Κατάλογοι Ανταλλαχτικών
Οδηγίες Λειτουργιάς

(NL) Onderhoudsinstructies
Onderdelenlijst
Bedieningsinstructies

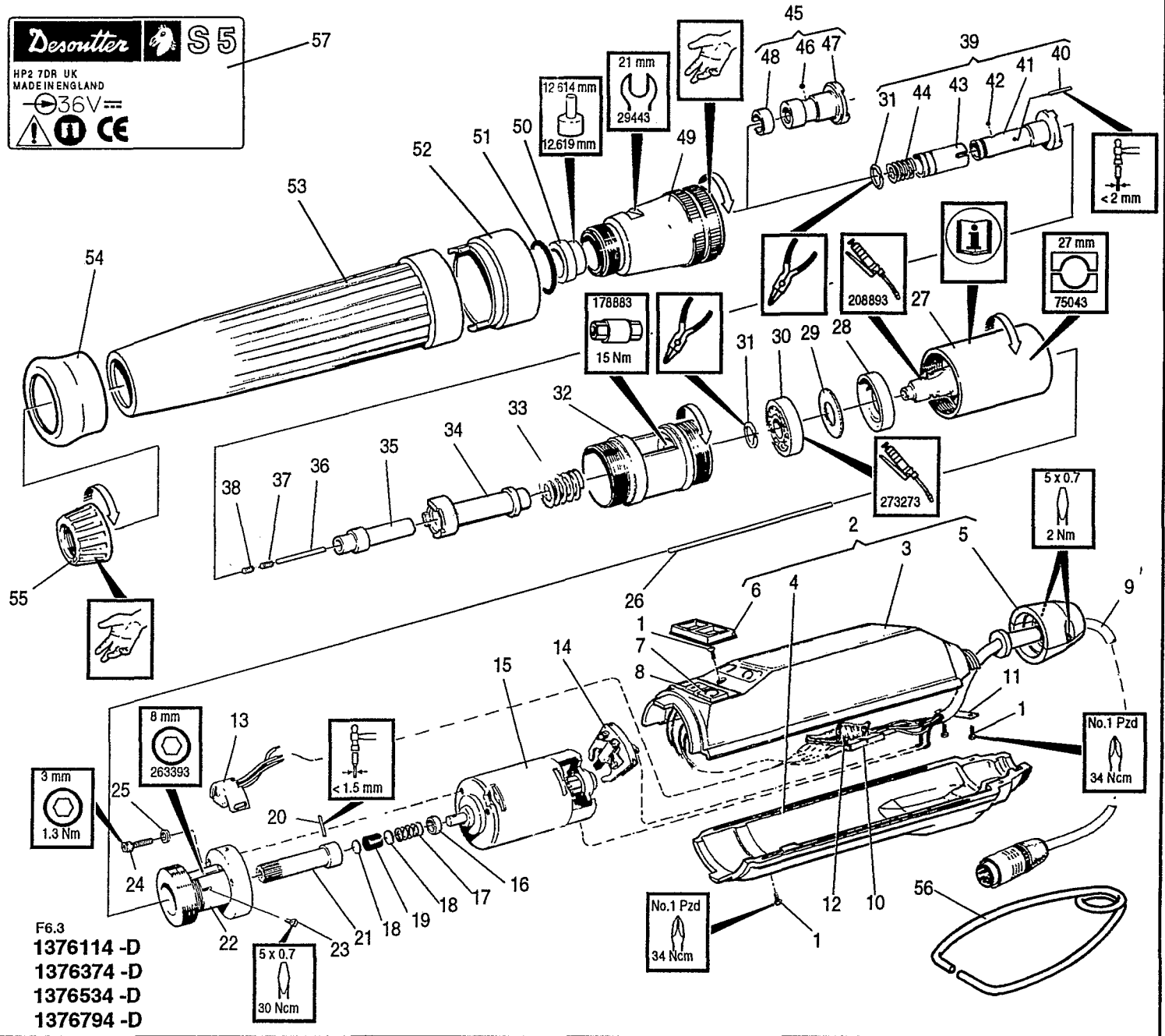
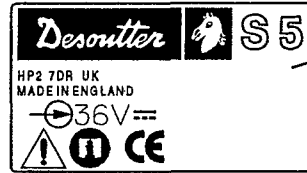
(DK) Servicevejledning
Liste over dele
Betjeningsvejledning

(N) Serviceinstruksjoner
Delelister
Driftsinstruksjoner

(S) Serviceinstruktioner
Reservdelslista
Bruksanvisning

(FIN) Huolto-ohjeet
Osaluettelo
Käyttöohjeet

5/16"	F6.3
S5Z2A-2000 1376294 -D	1376114 -D
S5Z2A-1400 1376454 -D	1376374 -D
S5Z2A- 750 1376614 -D	1376534 -D
S5Z2A- 450 1376874 -D	1376794 -D





Desoutter Limited. HP2 7DR.UK.

Item Ps. Nr. No. Article	Part No Teil Nr. Référence	Qty Menge Qté	Item Ps. Nr. No. Article	Part No Teil Nr. Référence	Qty Menge Qté
1	293373	4	32	302763	1
2	278643	1	33	313943	1
3	278663	1	34	313933	1
4	278673	1	35	313923	1
5	433263	1	36	311733	1
6	292693	1	37	300403	1
7	292823	1	38	205943	1
8	292813	1		(450RPM)	
9	278913	1	39	370693	1
10	259933	1		(F6.3)	
11	269673	1	40	327143	1
*12	262233	4	41	370663	1
13	291963	1	42	280313	2
14	310243	1	43	370673	1
15	298233	1	44	301013	1
16	259773	1	45	301143	1
17	259923	1		(5/16")	
18	259783	2	46	72408	1
19	259913	1	47	301153	1
*20	302243	2	48	86058	1
21	263693	1	49	313113	1
	(2000RPM)		50	73798	2
	263673	1	*51	239753	2
	(1400RPM)		52	259853	1
	(450RPM)			(450RPM)	
	275143	1	53	304503	1
	(750RPM)		54	411693	1
22	289813	1	55	177163	1
23	281363	2	56	432663	1
24	236233	3	57	39433	1
25	291923	3			
26	276993	1			
	(2000RPM)				
	(1400RPM)				
	(750RPM)				
	291313	1			
	(450RPM)				
27	3 of 15	1			
28	216483	1			
29	206633	1			
*30	178543	1			
*31	200083	2			

Primary direction of rotation
Hauptdrehrichtung
Direction primaire de rotation

Bias switch to direction required.

Richten Sie den Schalter zum bevorzugten Betrieb aus

Polariser le commutateur le mode requis.

Run button
 Laufknopf
 Bouton de marche

Reverse button
 Rückwärtsknopf
 Bouton d'inversion

Manual or Automatic mode
Hand-oder Automatikbetrieb
Mode Manuel ou Automatique

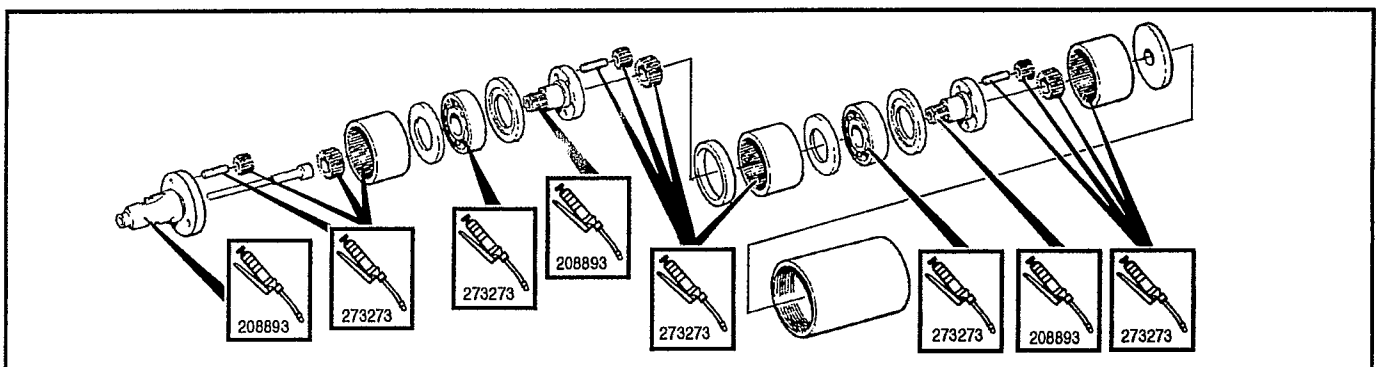
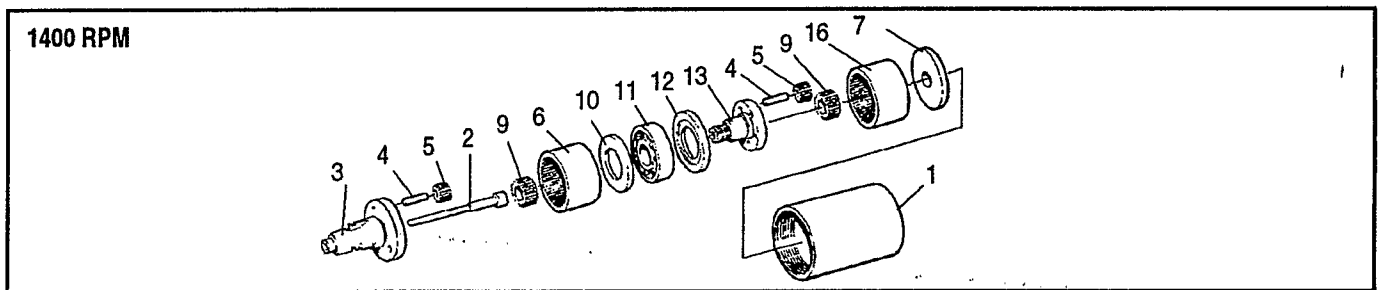
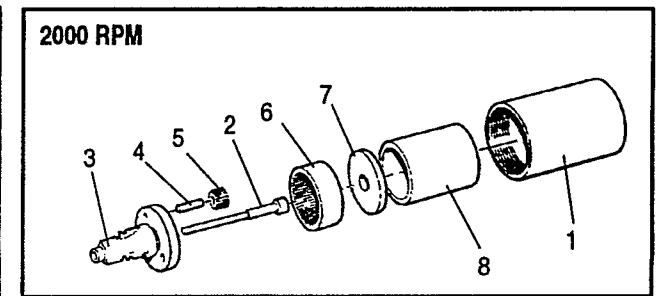
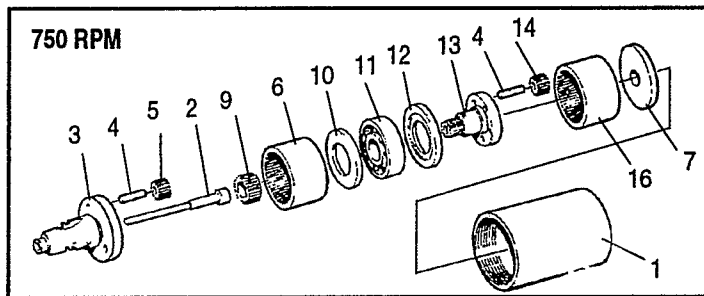
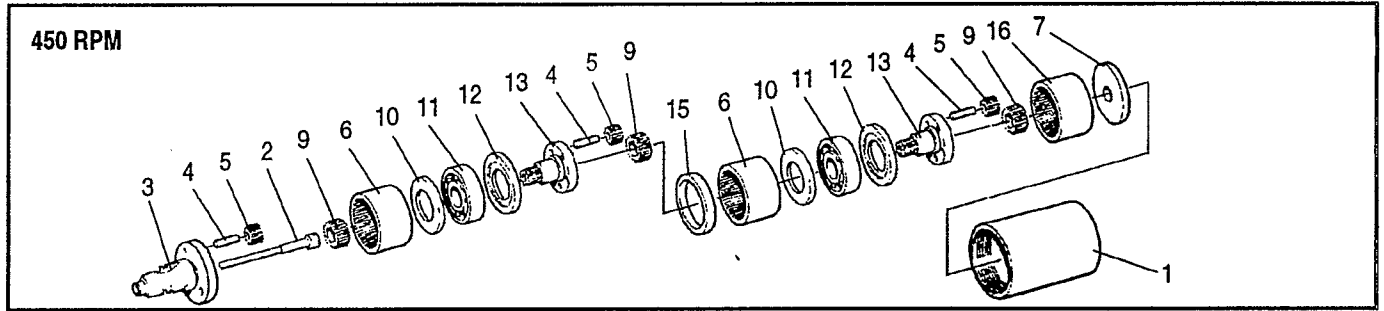
for Manual operation
 für Handbetrieb
 pour fonctionnement Manuel

for Automatic operation
 für Automatikbetrieb
 pour fonctionnement Automatique

- (GB)** * Indicates normal replacement items. It is recommended that adequate stocks are held for servicing requirements. Always quote tool model number, serial number and spare part number when ordering spares.
- (D)** * Bedeutet normale Verschleißteile. Es empfiehlt sich eine angemessene Menge für Wartungszwecke auf Lager zu halten. Bei der Bestellung von Ersatzteilen, bitte immer angeben: Typennummer der Bohrmaschine, Werknummer und Ersatzteilnummer.
- (F)** * Le symbole astérisque (*) indique des articles de rechange normaux. Il est recommandé d'en conserver des stocks suffisants pour assurer toutes les opérations d'entretien courant. Lors de la commande de pièces de rechange, toujours citer le numéro de modèle de l'outillage, son numéro de série et le numéro de référence de chaque pièce de rechange.
- (E)** * Indica elementos de reposición regular. Se recomienda tener una cantidad adecuada de los mismos en reserva a efectos de mantenimiento. Al encargar piezas de recambio, siempre debe indicarse el número de modelo de la herramienta, su número de serie y el número de la pieza de recambio.
- (P)** * Indica itens que são substituídos regularmente. É recomendado que estoques adequados sejam mantidos para requisitos de manutenção. Cite sempre o número do modelo da ferramenta, número de série, e número da peça acessória quando pedindo acessórios.
- (I)** * L'asterisco denota ricambi normali. Si consiglia di mantenere scorte adeguate alle esigenze della manutenzione. Nell'ordinazione di ricambi citare il numero di modello dell'utensile, il numero di matricola e quello di catalogo del pezzo.
- (GR)** * Σημειώνει συνηθισμένα είδη (τεμάχια) για αντικατάσταση. Σας συνιστούμε να τηρείτε αρκετό απόθεμα από τα είδη που χρειάζονται αντικατάσταση. Όταν παραγγέλνετε ανταλλακτικά πάντα να γράφετε τον αριθμό μοντέλου του εργαλείου, τον αριθμό σειράς και τον αριθμό ανταλλακτικού.
- (NL)** * Betekent normale reserveartikelen. Het verdient aanbeveling om voldoende voor onderhoudsbehoeften voorradig te hebben. Bij bestelling van reserveonderdelen geef altijd modelnummer, volgnummer en reserveonderdeelnummer van het werktuig op.
- (DK)** * Indikerer normale udskiftningsemner. Det anbefales at have rigelige forsyninger af dele til brug i forbindelse med eftersyn. Opgiv altid det korrekte værktøjsmodelnummer, serienummer og reservedelsnummer ved bestilling af reservedele.
- (N)** * Angir normale reservedeler. Det anbefales at tilstrekkelig antall reservedeler holdes på lager. Ved bestilling av deler må man alltid oppgi verktøyetts modellnr., serienr. og reservedelens nr.
- (S)** * Utmärker normala reservdelar. Vi rekommenderar att tillräckligt antal lagras för serviceändamål. Uppge alltid verktøgetts modellnummer, serienummer samt reservedelens nummer vid beställning av reservdelar.
- (FIN)** * Viittaa tavallisiin varaosiin. Suosittelemme, että riittävä määrä pidetään varastossa huoltotarpeita varten. Työkalun mallinumero, sarjanumero ja varaosan numero on aina mainittava tilaattaessa.

S5Z2A – Gearbox Parts List / Getriebe Teileliste / Boîte de Vitesse Liste de pièces

Item Ps. Nr. No. Article	Part No Teil Nr. Référence	Qty Menge Qté	Item Ps. Nr. No. Article	Part No Teil Nr. Référence	Qty Menge Qté
1	259843 (2000RPM) (1400RPM) (750RPM)	1	12	170243 (1400RPM) (750RPM) (450RPM)	1 1 2
	260663 (450RPM)	1	13	174313 (1400RPM) 174243 (750RPM)	1 1 1
2	205183	1		174313 (450RPM)	2
3	224513 (2000RPM) 205193 (1400RPM) (750RPM) (450RPM)	1 1 1 3	14	274433 (750RPM) 200213 (450RPM)	1 1 1
4	170233 (2000RPM) (1400RPM) (750RPM) (450RPM)	3 6 6 9	15	174303 (1400RPM) (450RPM) 174253 (750RPM)	1 1 1 1
5	224503 (2000RPM) 170223 (1400RPM) (750RPM) (450RPM)	3 6 3 9	16		3
6	224533 (2000RPM) 170273 (1400RPM) (750RPM) (450RPM)	1 1 1 2			
7	177173	1			
8	259823 (2000RPM)	1			
9	170213 (1400RPM) (750RPM) (450RPM)	2 1 3			
10	170253 (1400RPM) (750RPM) (450RPM)	1 1 2			
*11	2423 (1400RPM) (750RPM) (450RPM)	1 1 2			



STATEMENT OF USE

Product is designed for installing and removing threaded fasteners in wood, metal and plastic.

REQUIREMENTS

This tool requires a 36V DC supply and is to be operated through a controller on a 42V DC supply.

Units available are listed below:

ESP1 Power module requires mains voltage supply, provides a single 42V DC output.

ESP2 Power module requires mains voltage supply, provides five 42V DC outputs.

ESP4 Controller unit provides several running options and a 9 position torque (and speed) selector switch.

Where controllers have Manual or Automatic mode options, this tool may be used in either mode.

ACCESSORIES

A wide range of accessories are available and suitable items should be selected from the relevant Desoutter catalogue.

OPERATING INSTRUCTIONS

With the correct accessory fitted, connect the tool through the controller to the power supply.

Select the appropriate programme on the controller from the normal/slow start options and torque output from the 9 position selector switch.

Grip the tool around the motor case and press the tool into the fixing that is to be tightened; the motor will start when the controller is in Automatic mode.

When in manual mode the motor will not start until the RUN button is pressed.

The fixing is tightened to the required torque set by adjusting the controller selector switch..

To engage reverse rotation press the reverse button and hold the tool against the fastener.

NOTE: The controller selector switch adjusts motor stall torque in both forward and reverse.

Do not allow tool to stall for more than one second.

Default push start rotation is clockwise; this may be changed by pressing both run and reverse buttons together for five seconds, then releasing both together, followed by pressing either the run button (clockwise) or the reverse button (anti-clockwise).

MAINTENANCE INSTRUCTIONS**Lubrication**

157833 = Molykote Plastislip PG75

273273 = BP Q5618

208893 = Roccol M204G

Do not pack gears or bearings with grease, only lightly coat.

Use only the minimum amount of grease to locate components when assembling.

Assembling and Dismantling

Follow normal engineering practices and with references to the illustration build the components into sub-assemblies.

Disconnect Connector (10). Desolder only those wires necessary to component removal.

The NORTH POLE (white paint) of magnet (19) MUST be assembled into the transmission shaft (21) FIRST.

To Set the Hall Effect

Remove case halves (3,4) and screws 11).

Place the Hall Effect Carrier assembly as fully forward as adjustment will allow and retain with screws (23) very lightly.

Ensure motor GREY wire is connected to '+' motor terminal.

Connect to controller; set for automatic operation; switch on mains supply; the motor should RUN.

Move the Hall Effect Carrier assembly towards the motor, noting when the motor switches OFF.

From this point move the Hall Effect Carrier assembly FORWARD ONE INCREMENT 0.5-1.0mm.

NOTE: The Hall Effect Carrier adjustment is in increments of 0.5mm.



Switch off power supply, tighten screws (23) and replace case halves.



DATA

Rated Input	= 35 W
Rated Current	= 2.5 amps.
Sound Pressure Level (dBA)	= 59 ± 2 re. CAGI-PNEUROP Test code
Vibration Level (m/sec ²)	= < 2.5 re. ISO 8662
Weight	
S5Z2A-2000,1400,750	= 0.8 kg
S5Z2A- 450	= 0.9 kg

TORQUE RANGE

TOOL SPEED	MAX. STALL TORQUE	MIN. STALL TORQUE
2000	0.9 Nm	0.34 Nm
1400	1.4 Nm	0.45 Nm
750	1.7 Nm	0.56 Nm
450	2.8 Nm	0.68 Nm

	WARNING
	BEFORE USING, INSTALLING, REPAIRING OR CHANGING ACCESSORIES, READ AND UNDERSTAND THESE INSTRUCTIONS.
<ol style="list-style-type: none"> 1. Tool operates through a 36V DC supply - do not connect directly to the mains. 2. Disconnect the power supply before handling the screwdriver bit or socket or dismantling the tool. 3. Keep loose articles of clothing or long hair away from the tool when in use. 4. Hold the tool correctly; be ready to counteract normal or sudden movements - have both hands available. 5. Do not use in confined spaces; beware of crushing hands between the tool and workpiece, especially when unscrewing. 6. Immediately after adjusting the controller, check for correct torque. 7. Do not use in worn condition; the clutch may not operate, resulting in sudden rotation of the tool handle. 8. Ensure that the workpiece is properly supported. 9. Must not be used in explosive atmospheres. 10. Power tools are not insulated from coming into contact with electric power. 	

Part No.		WARNING	
278663 278673 292693	= PA 6/6, 30%gf, <0.1%Cd		

©Copyright 1997, Desoutter, HP2 7DR, UK.

All rights reserved. Any unauthorized use or copying of the contents or part thereof is prohibited. This applies in particular to trademarks, model denominations, part numbers and drawings.

Use only authorized parts. Any damage or malfunction caused by the use of unauthorized parts is not covered by Warranty or Product Liability.



Desoutter Limited, HP2 7DR.UK.