

Desoutter

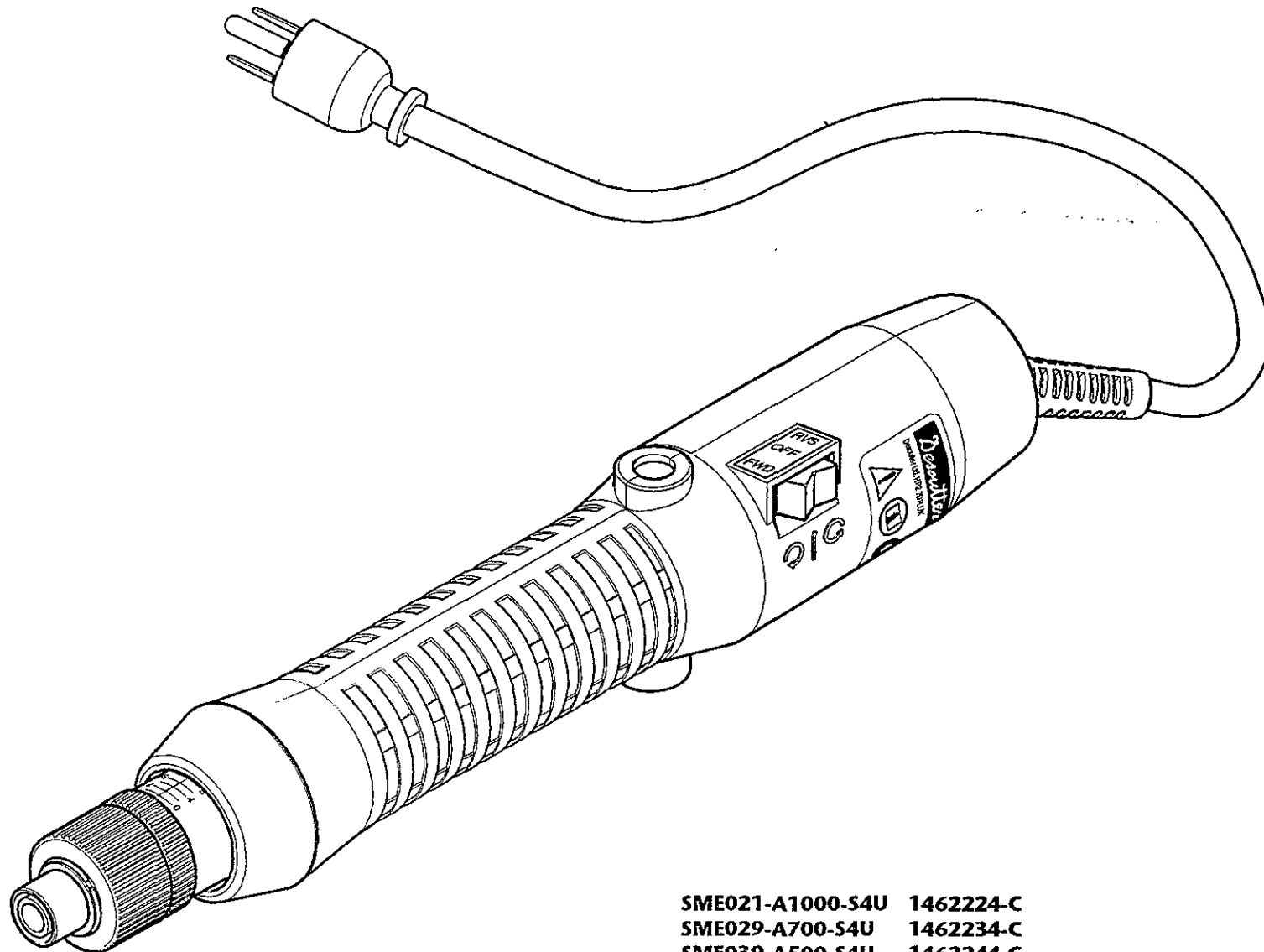


TM

Desoutter Limited. HP2 7DR. UK.

SME

- Ⓒ GB Servicing Instructions
Parts List
Operating Instructions
- Ⓒ F Manuel d'entretien
Liste de pièces
Manuel d'utilisation



SME021-A1000-S4U 1462224-C
SME029-A700-S4U 1462234-C
SME039-A500-S4U 1462244-C



Desoutter Limited. HP2 7DR. UK.



WARNING! Read All Instructions

FAILURE TO FOLLOW ALL INSTRUCTIONS LISTED BELOW, MAY RESULT IN ELECTRIC SHOCK, FIRE AND/OR SERIOUS PERSONAL INJURY

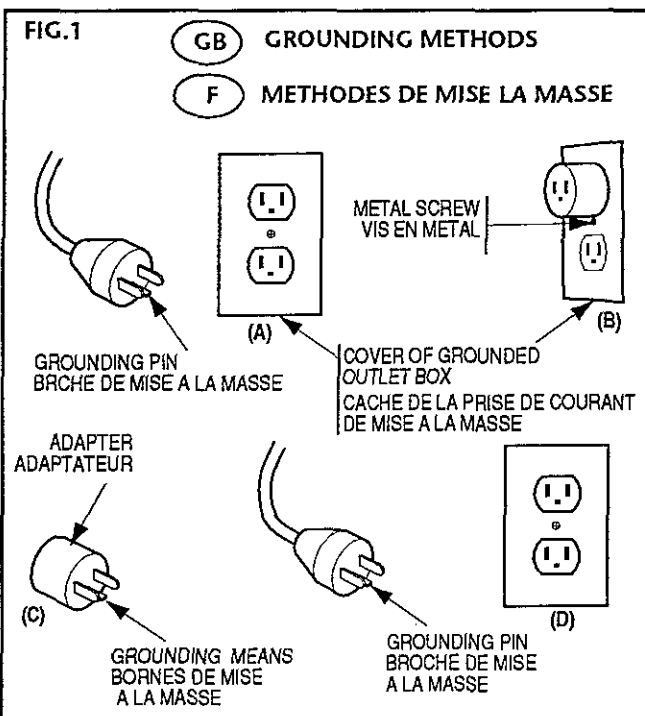
WORK AREA

Keep your work area clean and well lit. Cluttered benches and dark areas invite accidents.

Do not operate power tools in explosive atmospheres, such as in the presence of flammable liquids, gases or dust. Power tools create sparks which may ignite the dust or fumes.

Keep bystanders, children and visitors away while operating a power tool. Distractions can cause you to lose control.

ELECTRICAL SAFETY



Grounding Instructions: This tool should be grounded while in use to protect operator from electric shock. The tool is equipped with a 3-prong grounding type plug to fit the proper grounding type receptacle. The green (or green and yellow) conductor in the cord is the grounding wire. Never connect the green (or green and yellow) wire to a live terminal. If your unit is for use on less than 150V it has a plug that looks like that shown in sketch (A) (Fig. 1). If it is for use on 150 to 250V it has a plug that looks like that shown in sketch (D) (Fig. 1). An adapter, see sketches (B) and (C) (Fig. 1), is available for connecting sketch (A) type plugs to 2-prong receptacles (Fig. 1). The green coloured rigid ear, lug, or the like, extending from the adapter must be connected to a permanent ground, such as a properly grounded outlet box. No adapter is available for a plug as shown in sketch (D) (Fig. 1).

Extension cords: Use only 3-wire extension cords that have 3-prong grounding-type plugs and 3-pole receptacles that accept the tool's plug. Replace or repair damaged cords. Make sure your extension cord is in good condition. When using an extension cord, be sure to use one heavy enough to carry the current your product will draw. An undersized cord will cause a drop in line voltage resulting in loss of power and overheating. A cord of maximum length 25 feet and an AWC 18 should only be used with this product.

Avoid body contact with grounded surfaces such as pipes, radiators, ranges and refrigerators. There is an increased risk of electric shock if your body is grounded.

Don't expose power tools to rain or wet conditions. Water entering a power tool will increase the risk of electric shock.

Do not abuse the cord. Never use the cord to carry the tools or pull the plug from an outlet. Keep cord away from heat, oil, sharp edges or moving parts. Replace damaged cords immediately. Damaged cords increase the risk of electric shock.

When operating a power tool outside, use an outdoor extension cord marked "W-A" or "W". These cords are rated for outdoor use and reduce the risk of electric shock.

PERSONAL SAFETY

Stay alert, watch what you are doing and use common sense when operating a power tool. Do not use tool while tired or under the influence of drugs, alcohol or medication. A moment of inattention while operating power tools may result in serious injury. Dress properly. Do not wear loose clothing or jewellery. Contain long hair. Keep your hair, clothing and gloves away from moving parts. Loose clothes, jewellery or long hair can be caught in moving parts.

Avoid accidental starting. Be sure switch is off before plugging in. Carrying tools with your finger on the switch or plugging in tools that have the switch on invites accidents.

Remove adjusting keys or switches before turning the tool on. A wrench or key that is left attached to a rotating part of the tool may result in personal injury.

Do not overreach. Keep proper footing and balance at all times. Proper footing and balance enables better control of the tool in

unexpected situations.

Use safety equipment. Always wear eye protection. Dust mask, non-skid safety shoes, hard hat or hearing protection must be used for appropriate conditions.

Hold tool by insulated gripping surfaces when performing an operation where the cutting tool may contact hidden wiring or its own cord. Contact with a "live" wire will make exposed metal parts of the tool "live" and shock the operator.

Store idle tools in dry and high or locked-up place. Out of reach of children.

TOOL USE AND CARE

Use clamps or other practical way to secure and support the workpiece to a stable platform. Holding the work by hand or against the body is unstable and may lead to loss of control.

Do not force tool. Use the correct tool for your application. The correct tool will do the job better and safer at the rate for which it is designed.

Do not use the tool if switch does not turn it on or off. Any tool that cannot be controlled with the switch is dangerous and must be repaired.

Disconnect the plug from the power source before making any adjustments, changing accessories or storing the tool. Such preventive safety measures reduce the risk of starting the tool accidentally.

Store idle tools out of reach of children and other untrained persons. Tools are dangerous in the hands of untrained users.

Maintain tools with care. Keep cutting tools sharp and clean. Properly maintained tools, with sharp cutting edges are less likely to bind and are easier to control.

Check for misalignment or binding of moving parts, breakage of parts, and any other condition that may affect the tools operation. If damaged, have the tool serviced before using. Many accidents are caused by poorly maintained tools.

Use only accessories that are recommended by the manufacturer for your model. Accessories that may be suitable for one tool, may become hazardous when used on another tool.

Don't use tool for purpose not intended. For example don't use circular saw for cutting tree limbs or logs.

Keep handles dry, clean, and free from oil and grease.

SERVICE

Tool service must be performed only by qualified personnel. Service or maintenance performed by unqualified personnel could result in a risk of injury.

When servicing a tool use only identical replacement parts. Follow instructions in the maintenance section of this manual. Use of unauthorised parts or failure to follow Maintenance Instructions may create a risk of electric shock or injury.

Follow instructions for lubricating and changing of accessories.

SAVE THESE INSTRUCTIONS



Desoutter Limited. HP2 7DR. UK.

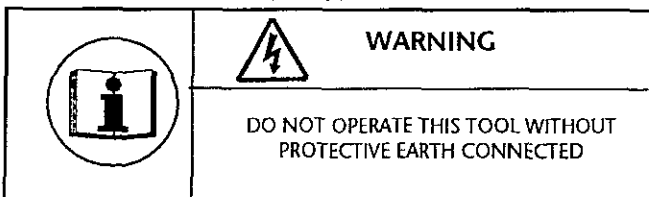
STATEMENT OF USE

Product is designed for installing and removing threaded fasteners in metal. No other use permitted.

DATA

Class of Construction	= Class 1 Tool
Input voltage	= 120V, 60Hz
Rated Current	
SME021-A1000-S4U	= 0.6A
SME029-A700-S4U	= 0.6A
SME039-A500-S4U	= 0.9A
Sound Pressure Level (dBA)	= 61 ± 2 re. EN50144-2-2
Vibration Level (m/sec ²)	= < 2.5 re. EN50144-2-2
Weight	= 1.05 kg

ELECTRICAL CONNECTION



The wires in the supply cable are coloured in accordance with the following code:

Green and Yellow - Earth
Blue - Neutral
Brown - Live

As the colours of the wires in the supply cable of this unit may not correspond with the coloured marking identifying the terminals in the plug being used, proceed as follows:

The wire which is coloured green and yellow must be connected to the terminal in the plug which is marked with the letter 'E' or by the earth symbol or coloured green or green and yellow.

The wire which is coloured blue must be connected to the terminal which is marked with the letter 'N' or coloured black.

The wire which is coloured brown must be connected to the terminal which is marked with the letter 'L' or coloured red.

The plug should be fitted with a 3 amp fuse.

ACCESSORIES

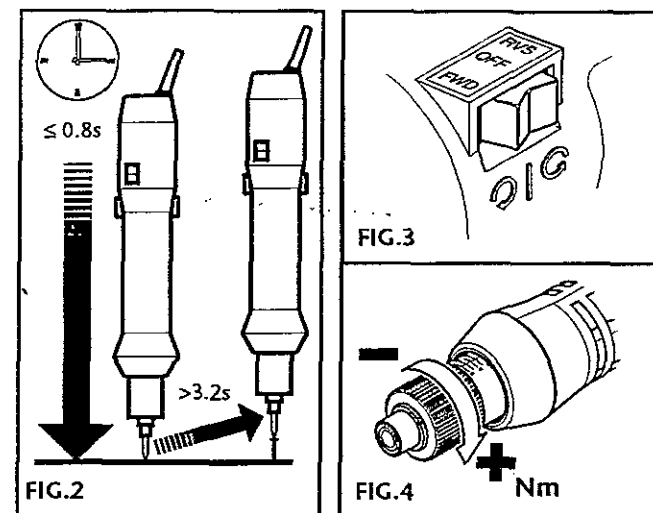
Pistol Grip attachment (Part No. 75182) and a range of screwdrivers bits, acceptable for use with the tool, are available from the Desoutter catalogue.

	WARNING
BEFORE USING, INSTALLING, REPAIRING OR CHANGING ACCESSORIES, READ AND UNDERSTAND THESE INSTRUCTIONS.	
<ol style="list-style-type: none"> 1. Disconnect the power supply before dismantling the tool. 2. Select the OFF switch position (Fig. 3) when fitting/removing accessory. 3. Keep loose articles of clothing or long hair away from the tool when in use. 4. Hold the tool correctly; be ready to counteract normal or sudden movements - have both hands available. 5. Do not use in confined spaces; beware of crushing hands between the tool and workpiece, especially when unscrewing. 6. Immediately after adjusting the clutch, check for correct operation. 7. Do not use in worn condition; the clutch may not operate, resulting in sudden rotation of the tool handle. 8. Ensure that the workpiece is properly supported. 9. Must not be used in explosive atmospheres. 10. Power tools are not insulated from coming into contact with electrical power. 	

OPERATING INSTRUCTIONS

With the correct accessory fitted, connect the tool to the power supply and select the required switch position. (Fig. 3). Grip the tool around the motor case and press it into the fixing; the motor will start and tighten the fixing to the preset torque (Fig. 4). The tool will reset when lifted from the fixing ready for the next operation.

Note: To remove a previously tightened fixing, reposition the switch and increase the torque setting (Fig. 4). Again press the tool into the fixing and it will unscrew.



MAINTENANCE INSTRUCTIONS

Regular inspection of the mains cable (16) must be carried out and if damaged it must be replaced.

Part No.		WARNING		
438943	= PA 6/6, 30%gf, < 0.1%Cd			

ASSEMBLY AND DISMANTLING

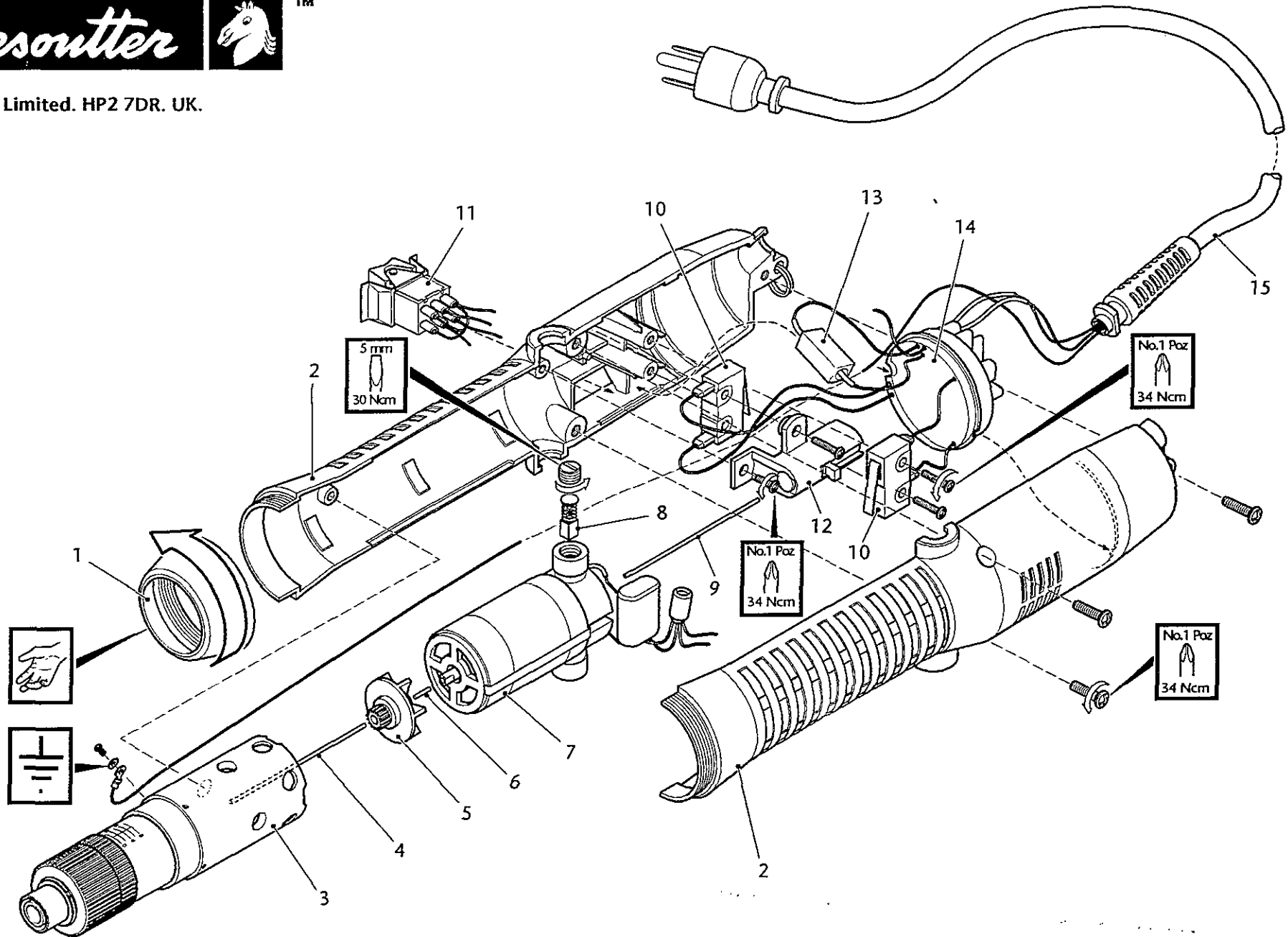
Failure to have repairs carried out by a suitably qualified electrician can result in danger to the user. Follow normal engineering practices, and with reference to the illustration, build the components into sub-assemblies. Desolder only those wires necessary for component removal. Always note coloured code and location of wires for correct assembly. On assembly ensure earth strap is properly secured to gearbox/clutch assembly (3).

©Copyright 1999, Desoutter, HP2 7DR. UK.

All rights reserved. Any unauthorized use or copying of the contents or part thereof is prohibited. This applies in particular to trademarks, model denominations, part numbers and drawings. Use only authorized parts. Any damage or malfunction caused by the use of unauthorized parts is not covered by Warranty or Product Liability.



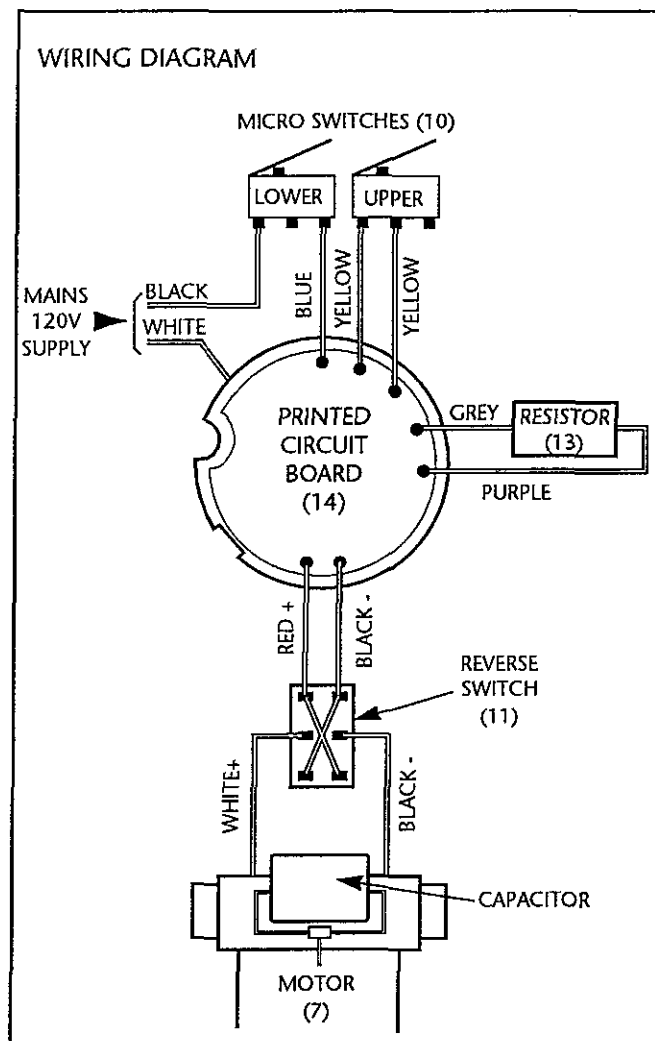
Desoutter Limited. HP2 7DR. UK.





Desoutter Limited. HP2 7DR. UK.

Item	Part No.	Description	Qty.
1	438953	Case Nose	1
2	438943	Housing (pair)	1
3	438913	Gearbox/Clutch Assembly - 1000rpm	1
	438923	Gearbox/Clutch Assembly - 700rpm	1
	438933	Gearbox/Clutch Assembly - 500rpm	1
4	438893	Push Rod (Gearbox)	1
5	438843	Fan - 1000rpm	1
	438853	Fan - 700rpm	1
	438863	Fan - 500rpm	1
6	438873	Push Rod	1
7	457933	Motor - 700, 1000rpm	1
	458003	Motor - 500rpm	1
8	458013	Brush Set - 700, 1000rpm	1
	458023	Brush Set - 500rpm	1
9	438883	Push Rod (Motor)	1
10	438803	Micro Switch	2
11	438773	Reverse Switch - 1000rpm	1
	438783	Reverse Switch - 700rpm	1
	438793	Reverse Switch - 500rpm	1
12	438823	Switch Base	1
13	457983	Resistor - 700, 1000rpm	1
	457993	Resistor - 500rpm	1
14	457943	Control board Assembly - 700, 1000rpm	1
	457953	Control Board Assembly - 500rpm	1
15	457963	Cable Assembly - 700, 1000rpm	1
	457973	Cable Assembly - 500rpm	1



(GB) * Indicates normal replacement items. It is recommended that adequate stocks are held for servicing requirements. Always quote tool model number, serial number and spare part number when ordering spares.

(F) * Le symbole astérisque (*) indique des articles de rechange normaux. Il est recommandé d'en conserver des stocks suffisants pour assurer toutes les opérations d'entretien courant. Lors de la commande de pièces de rechange, toujours citer le numéro de modèle de l'outillage, son numéro de série et le numéro de référence de chaque pièce de rechange.